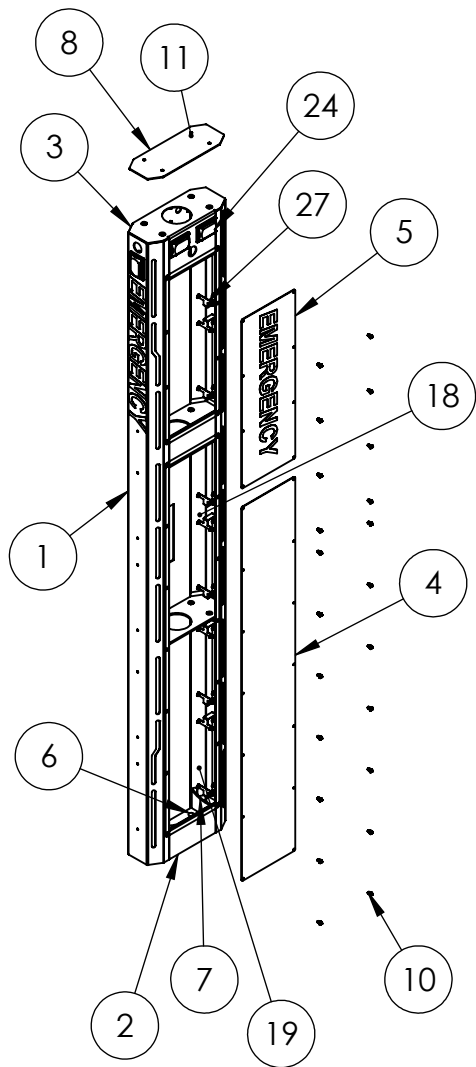


- NOTES:
1. MATERIAL OF CONSTRUCTION IS ALUMINUM.
  2. COATED IN 2-4 MILS OF GLOSS BLUE POWDER COATING.
  3. INTERCOM, CAMERAS, ETC. TO BE PROVIDED BY CUSTOMER.
  4. LIGHTING REQUIRES CONNECTION TO INTERCOM FOR ACTIVATION.

UNLESS OTHERWISE SPECIFIED:  DIMENSIONS ARE IN INCHES TOLERANCES: FRACTIONAL ± 1/32 ANGULAR: ± 2° TWO PLACE DECIMAL ± 0.010 THREE PLACE DECIMAL ± 0.005  INTERPRET GEOMETRIC TOLERANCING PER: ASME Y14.5 -2009	NAME  DATE	TITLE:  <b>INSTALLATION</b>		
	DRAWN  CHECKED	Monday, November 18, 2024 8:58:33 AM		
	<b>PROPRIETARY AND CONFIDENTIAL</b> THE INFORMATION CONTAINED IN THIS DRAWING IS THE SOLE PROPERTY OF PEDESTALPRO LLC. ANY REPRODUCTION IN PART OR AS A WHOLE WITHOUT THE WRITTEN PERMISSION OF PEDESTALPRO LLC IS PROHIBITED.		SIZE <b>A</b>	PART NO. 156TOW-AXIS-01-ALU
		WEIGHT: 68.305	NO SCALE	REV <b>A</b>
				SHEET 1 OF 21



ITEM NO.	PART NUMBER	DESCRIPTION	QTY.
1	156TOW-AXIS-01-ALU BODY	ALUMINUM BODY	1
2	156TOW-AXIS-01-ALU CLOSURE	CLOSURE PANEL	2
3	156TOW-AXIS-01-ALU CAP	TOP CAP	1
4	156TOW-AXIS-01-ALU ACCESS LOWER	ACCESS PANEL	1
5	156TOW-AXIS-01-ALU ACCESS UPPER	ACCESS PANEL	1
6	156TOW-AXIS-01-ALU BASE	BASE PLATE	1
7	156TOW-AXIS-01-ALU STIFFENER	BASE STIFFENER	2
8	156TOW-AXIS-01-ALU TOP CAP	BLANK CAP	1
9	156TOW-AXIS-01-ALU RIB	INTERNAL BRACING PLATE	2
10	--	1/4-20 X 1/2 SS PAN HD SCREW	22
11	--	1/4-20 X 1" SS PEM STUD	4
12	--	1/4-20 NYLON LOCK NUT	4
13	--	1/4-20 X 1" FLAT WASHER	4
14	--	4-40 X 1/2" SS PAN HD SCREW	24
15	--	DIN MOUNTING RAIL BOTTOM	1
16	--	DIN MOUNTING RAIL UPPER & MID	2
17	156TOW-AXIS-01-ALU POLYCARB TOP	FROSTED POLYCARBONATE WINDOW	2
18	156TOW-AXIS-01-ALU POLYCARB MID	FROSTED POLYCARBONATE WINDOW	2
19	156TOW-AXIS-01-ALU POLYCARB BOTTOM	FROSTED POLYCARBONATE WINDOW	2
20	BLUE BRICK LIGHT	BLUE STOBE LED LIGHT	6
21	LARGE EMERGENCY DECAL	WHITE REFLECTIVE VINYL	1
22	MEDIUM EMERGENCY DECAL	WHITE REFLECTIVE VINYL	3
23	PUSH FOR HELP DECAL	WHITE REFLECTIVE VINYL	1
24	--	10-24 STAINLESS STEEL KEPS NUT	32
25	--	6-32 SS NYLON LOCK NUT	48
26	--	6-32 X 1/2" SS PEM STUD	48
27	BRA133-EMER-01-304	LIGHT BRACKET	12
28	--	10-24 X .75" SS PEM STUD	32
29	TOP-BOTTOM GASKET	SOFT NEOPRENE GASKET	4
30	LOWER SIDE GASKET	SOFT NEOPRENE GASKET	2
31	UPPER SIDE GASKET	SOFT NEOPRENE GASKET	2
33	AXIS F91 MOUNT	DEVICE MOUNT	1
34	2IN DIN RAIL	DIN MOUNTING RAIL	1
35	--	6-32 X 5/16" SS PEM STUD	2
36	--	6-32 FLANGE NUT	2

UNLESS OTHERWISE SPECIFIED:

DIMENSIONS ARE IN INCHES  
 TOLERANCES:  
 FRACTIONAL ± 1/32  
 ANGULAR: ± 2°  
 TWO PLACE DECIMAL ± 0.010  
 THREE PLACE DECIMAL ± 0.005

INTERPRET GEOMETRIC  
 TOLERANCING PER:  
 ASME Y14.5 -2009

NAME	DATE
DRAWN	
CHECKED	

**PROPRIETARY AND CONFIDENTIAL**  
 THE INFORMATION CONTAINED IN THIS  
 DRAWING IS THE SOLE PROPERTY OF  
 PEDESTALPRO LLC. ANY REPRODUCTION  
 IN PART OR AS A WHOLE WITHOUT THE  
 WRITTEN PERMISSION OF PEDESTALPRO LLC  
 IS PROHIBITED.

TITLE:  
**ASSEMBLY**

Monday, November  
 18, 2024 8:58:33 AM

WEIGHT: 68.305

SIZE	PART NO.	REV
<b>A</b>	156TOW-AXIS-01-ALU	<b>A</b>

NO SCALE

SHEET 2 OF 21