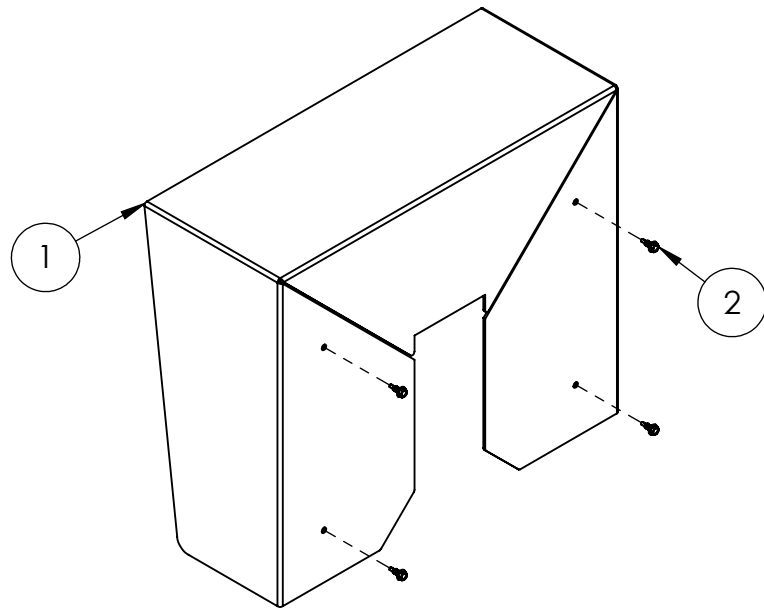


NOTES:  
 1. MATERIAL OF CONSTRUCTION IS 304 SS #4 BRUSHED.

UNLESS OTHERWISE SPECIFIED:  DIMENSIONS ARE IN INCHES TOLERANCES: FRACTIONAL: ± 1/32 ANGULAR: ± 2° TWO PLACE DECIMAL ± 0.010 THREE PLACE DECIMAL ± 0.005		NAME	DATE
	DRAWN		
INTERPRET GEOMETRIC TOLERANCING PER: ASME Y14.5 -2009	CHECKED		
	<b>PROPRIETARY AND CONFIDENTIAL</b>		
THE INFORMATION CONTAINED IN THIS DRAWING IS THE SOLE PROPERTY OF PEDESTALPRO LLC. ANY REPRODUCTION IN PART OR AS A WHOLE WITHOUT THE WRITTEN PERMISSION OF PEDESTALPRO LLC IS PROHIBITED.			

TITLE: <b>INSTALLATION</b>			
Thursday, September 13, 2018 12:05:51 PM		SIZE <b>A</b>	PART NO. 1512HOO-BUT-001-304
WEIGHT:		NO SCALE	REV <b>A</b>
		SHEET 1 OF 3	

ITEM NO.	PART NUMBER	DESCRIPTION	QTY.
1	1512HOO-BUT-001-304	HOOD	1
2	--	#8 X 1/2" HH DRILLING SCREW	4



**NOTES:**

1. SEE STANDARD PREPARATION AND COATING INSTRUCTIONS FOR COATING PROCEDURE AND COLOR.
2. SEE STANDARD PACKAGING INSTRUCTIONS FOR PACKAGING PROCEDURE.

UNLESS OTHERWISE SPECIFIED:

DIMENSIONS ARE IN INCHES  
 TOLERANCES:  
 FRACTIONAL  $\pm 1/32$   
 ANGULAR:  $\pm 2^\circ$   
 TWO PLACE DECIMAL  $\pm 0.010$   
 THREE PLACE DECIMAL  $\pm 0.005$

INTERPRET GEOMETRIC  
 TOLERANCING PER:  
 ASME Y14.5 -2009

NAME	DATE
DRAWN	
CHECKED	

**PROPRIETARY AND CONFIDENTIAL**  
 THE INFORMATION CONTAINED IN THIS  
 DRAWING IS THE SOLE PROPERTY OF  
 PEDESTALPRO LLC. ANY REPRODUCTION  
 IN PART OR AS A WHOLE WITHOUT THE  
 WRITTEN PERMISSION OF PEDESTALPRO LLC  
 IS PROHIBITED.

TITLE:  
**ASSEMBLY**

Thursday, September  
 13, 2018 12:05:51 PM

WEIGHT:

SIZE	PART NO.	REV
<b>A</b>	1512HOO-BUT-001-304	<b>A</b>

NO SCALE

SHEET 2 OF 3