

NOTES:

1. MATERIAL OF CONSTRUCTION IS 304 SS, BRUSHED #4.

UNLESS OTHERWISE SPECIFIED:

DIMENSIONS ARE IN INCHES  
 TOLERANCES:  
 FRACTIONAL  $\pm 1/32$   
 ANGULAR:  $\pm 2^\circ$   
 TWO PLACE DECIMAL  $\pm 0.010$   
 THREE PLACE DECIMAL  $\pm 0.005$

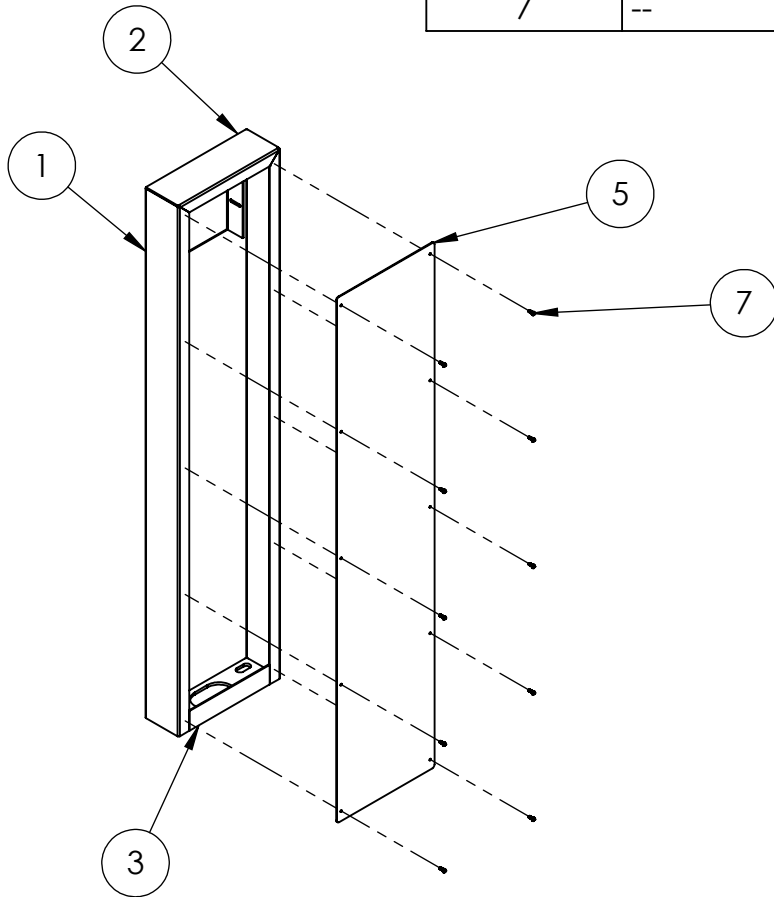
INTERPRET GEOMETRIC  
 TOLERANCING PER:  
 ASME Y14.5 -2009

NAME	DATE
DRAWN	
CHECKED	

TITLE:  
**INSTALLATION**

WEIGHT: 55.085	SIZE <b>A</b>	PART NO. 124CAB-DOOR-01-304	REV <b>0</b>
	NO SCALE	SHEET 1 OF 9	

ITEM NO.	PART NUMBER	DESCRIPTION	QTY.
1	124CAB-DOOR-01-304 MAIN BODY	MAIN BODY	1
2	124CAB-DOOR-01-304 TOP	TOP	1
3	124CAB-DOOR-01-304 BOTTOM CLOSURE	BOTTOM CLOSURE	1
4	124CAB-DOOR-01-304 BASE PLATE	BASE PLATE	1
5	124CAB-DOOR-01-304 ACCESS PANEL	ACCESS PANEL	1
6	PLTBRA-DOOR-2-6	D1101KH BRACKET MOUNT	2
7	--	8-32 PAN HEAD SCREW	10



NOTES:

1. SEE STANDARD PREPARATION AND COATING INSTRUCTIONS FOR COATING PROCEDURE AND COLOR.
2. SEE STANDARD PACKAGING INSTRUCTIONS FOR PACKAGING PROCEDURE.

UNLESS OTHERWISE SPECIFIED:

DIMENSIONS ARE IN INCHES  
TOLERANCES:  
FRACTIONAL  $\pm 1/32$   
ANGULAR:  $\pm 2^\circ$   
TWO PLACE DECIMAL  $\pm 0.010$   
THREE PLACE DECIMAL  $\pm 0.005$

INTERPRET GEOMETRIC  
TOLERANCING PER:  
ASME Y14.5 -2009

NAME DATE

DRAWN  
CHECKED

TITLE:

ASSEMBLY

SIZE  
**A**

PART NO.  
124CAB-DOOR-01-304

REV  
**0**

WEIGHT: 55.085

NO SCALE

SHEET 2 OF 9