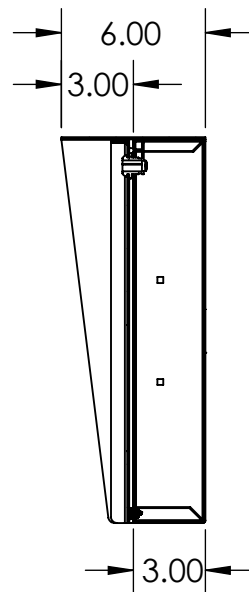
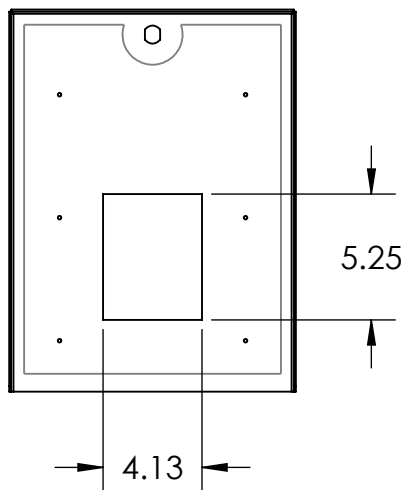
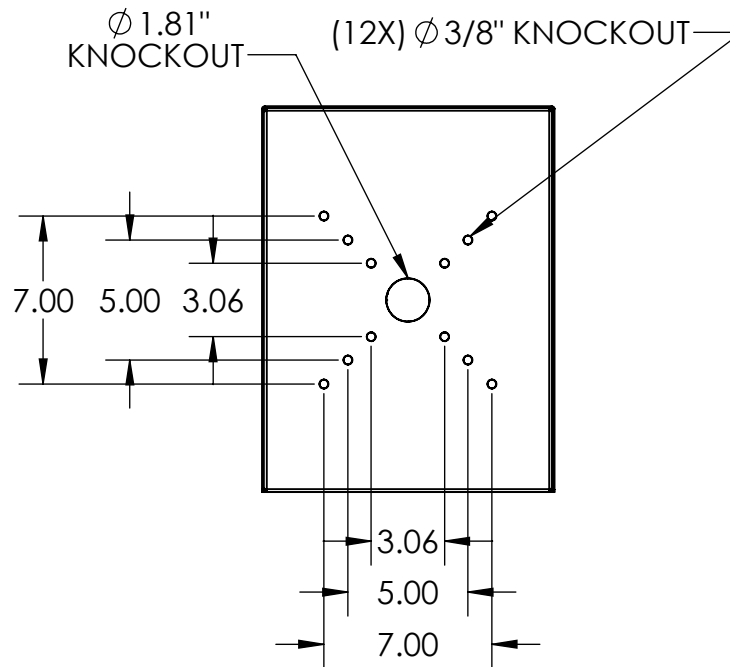


(6X)DRILL 25 (.1495)
TAP 10-24

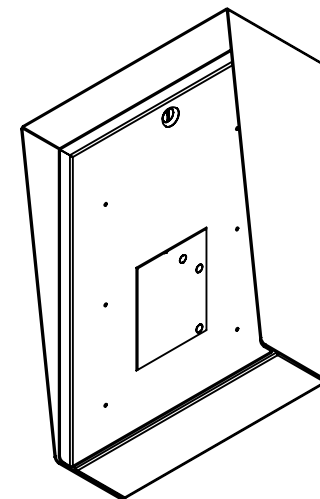


SECTION A-A



CUTOUT FITS VIKING:
E-1600-TP-IPEWP, E-1600TP2IPEWP
E-1600A-TP-EWP, E-1600A-TP2-EWP

NOTES:
1. MATERIAL OF CONSTRUCTION IS 304 SS, BRUSHED #4.



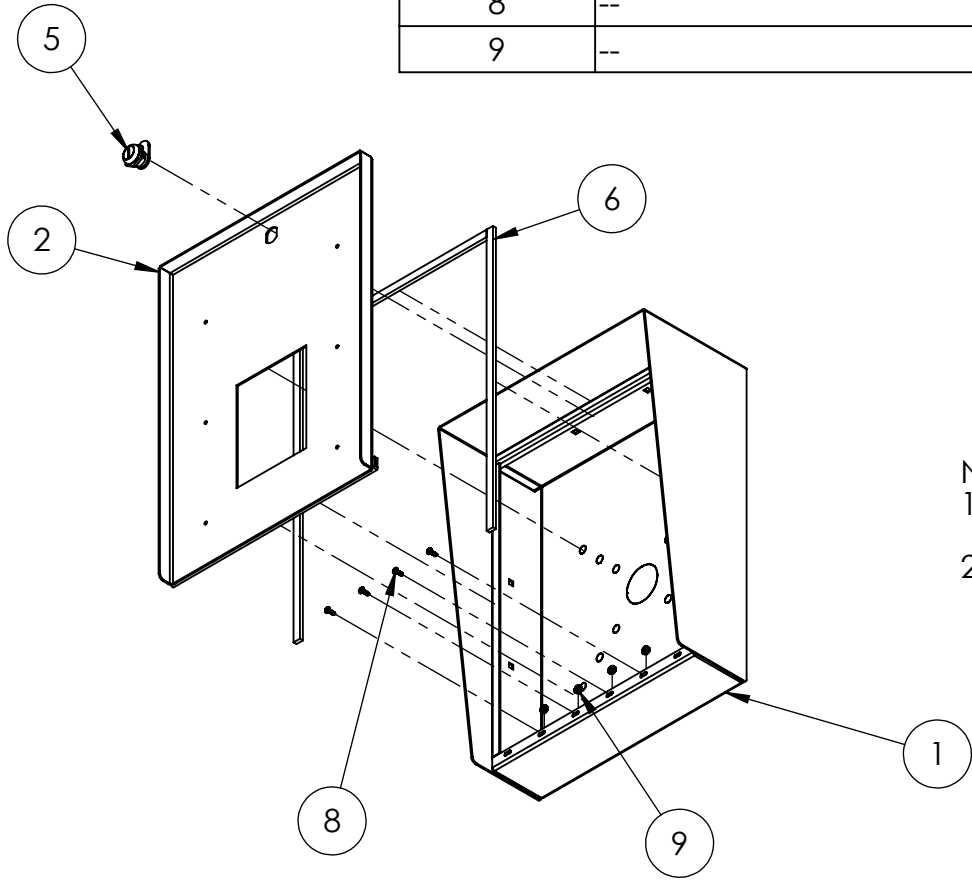
UNLESS OTHERWISE SPECIFIED:
DIMENSIONS ARE IN INCHES
TOLERANCES:
FRACTIONAL $\pm 1/32$
ANGULAR: $\pm 2^\circ$
TWO PLACE DECIMAL ± 0.010
THREE PLACE DECIMAL ± 0.005
INTERPRET GEOMETRIC
TOLERANCING PER:
ASME Y14.5 -2009

NAME	DATE
DRAWN	
CHECKED	

TITLE:
INSTALLATION

WEIGHT: 18.493	SIZE A	PART NO. 1216HOU-VIKI-03-304	REV A
	NO SCALE	SHEET 1 OF 6	

ITEM NO.	PART NUMBER	DESCRIPTION	QTY.
1	1216HOU-VIKI-03-304 ENCLOSURE	ENCLOSURE WELDMENT	1
2	1216HOU-VIKI-03-304 DOOR	DOOR WELDMENT	1
3	1216HOU-VIKI-03-304 HOOD	HOOD	1
4	HINGE	PIANO HINGE	1
5	CAM LOCK	STRAIGHT CAM	1
6	GASKET SIDE	3/8" X .150 WEATHERSTRIPPING	2
7	GASKET TOP	3/8" X .150 WEATHERSTRIPPING	1
8	--	6-32 PAN HEAD SCREW	4
9	--	6-32 EXTERNAL TOOTH LOCK NUT	4



- NOTES:
- SEE STANDARD PREPARATION AND COATING INSTRUCTIONS FOR COATING PROCEDURE AND COLOR.
 - SEE STANDARD PACKAGING INSTRUCTIONS FOR PACKAGING PROCEDURE.

UNLESS OTHERWISE SPECIFIED:
 DIMENSIONS ARE IN INCHES
 TOLERANCES:
 FRACTIONAL ± 1/32
 ANGULAR: ± 2°
 TWO PLACE DECIMAL ± 0.010
 THREE PLACE DECIMAL ± 0.005
 INTERPRET GEOMETRIC
 TOLERANCING PER:
 ASME Y14.5 -2009

	NAME	DATE
DRAWN		
CHECKED		

TITLE: ASSEMBLY		SIZE A	PART NO. 1216HOU-VIKI-03-304	REV A
WEIGHT: 18.493		NO SCALE		SHEET 2 OF 6