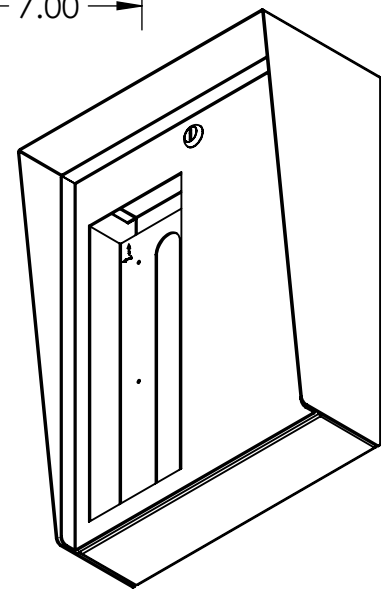


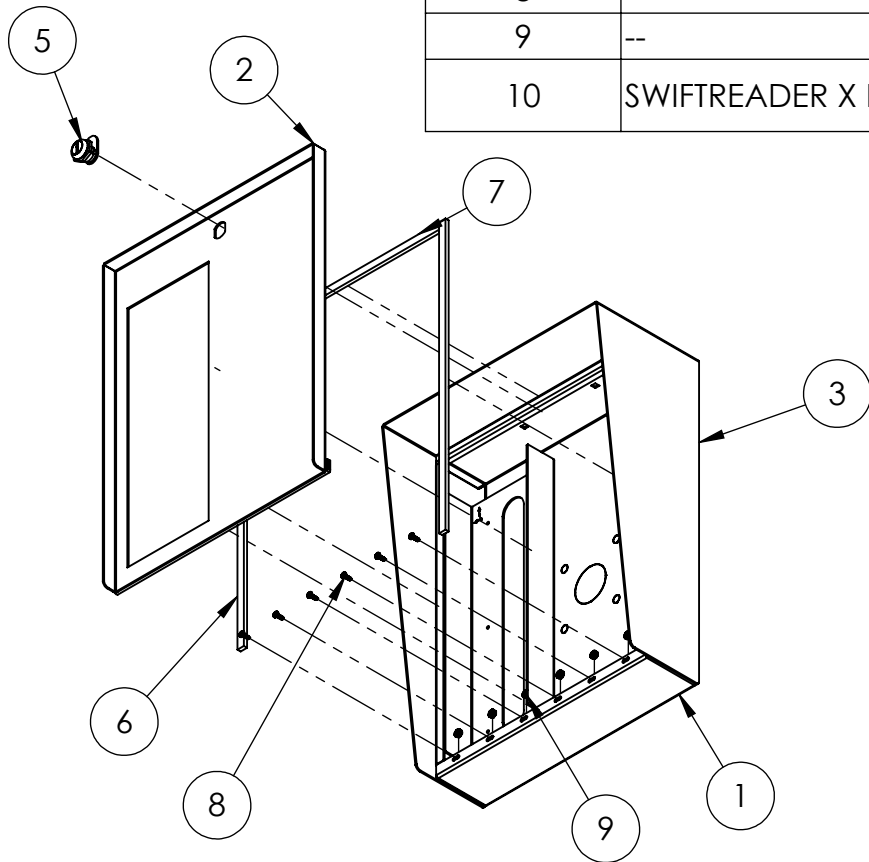
SWIFTLANE SWIFTREADER X  
FLUSH MOUNT

- NOTES:  
 1. MATERIAL OF CONSTRUCTION IS MILD STEEL.  
 2. 2-4 MILS BLACK WRINKLE POWDER COAT.



|   |   |  |  |         |  |      |                |                       |                     |  |              |
|---|---|--|--|---------|--|------|----------------|-----------------------|---------------------|--|--------------|
|   | UNLESS OTHERWISE SPECIFIED:   |  |  | NAME    |  | DATE |                | TITLE:                |                     |  |              |
|   | DIMENSIONS ARE IN INCHES<br>TOLERANCES:<br>FRACTIONAL: $\pm 1/32$<br>ANGULAR: $\pm 2^\circ$<br>TWO PLACE DECIMAL: $\pm 0.010$<br>THREE PLACE DECIMAL: $\pm 0.005$ |  |  | DRAWN   |  |      |                | <h1>INSTALLATION</h1> |                     |  |              |
|   |   |  |  | CHECKED |  |      |                |                       |                     |  |              |
| INTERPRET GEOMETRIC TOLERANCING PER: ASME Y14.5 -2009 |   |  |  |         |  |      | SIZE           |                       | PART NO.            |  | REV          |
|   |   |  |  |         |  |      | <b>A</b>       |                       | 1216HOU-SWIF-02-CRS |  | <b>B</b>     |
|   |   |  |  |         |  |      | WEIGHT: 19.295 |                       | NO SCALE            |  | SHEET 1 OF 7 |

| ITEM NO. | PART NUMBER                   | DESCRIPTION                    | QTY. |
|----------|-------------------------------|--------------------------------|------|
| 1        | 1216HOU-SWIF-02-CRS ENCLOSURE | ENCLOSURE WELDMENT             | 1    |
| 2        | 1216HOU-SWIF-02-CRS DOOR      | DOOR WELDMENT                  | 1    |
| 3        | 1216HOU-SWIF-02-CRS HOOD      | HOOD                           | 1    |
| 4        | HINGE                         | PIANO HINGE                    | 1    |
| 5        | CAM LOCK                      | STRAIGHT CAM                   | 1    |
| 6        | GASKET SIDE                   | 3/8" X .150 WEATHERSTRIPPING   | 2    |
| 7        | GASKET TOP                    | 3/8" X .150 WEATHERSTRIPPING   | 1    |
| 8        | --                            | 6-32 PAN HEAD SCREW            | 6    |
| 9        | --                            | 6-32 EXTERNAL TOOTH LOCK NUT   | 6    |
| 10       | SWIFTREADER X FLUSH BRACKET   | SWIFTREADER X MOUNTING BRACKET | 1    |



NOTES:

1. SEE STANDARD PREPARATION AND COATING INSTRUCTIONS FOR COATING PROCEDURE AND COLOR.
2. SEE STANDARD PACKAGING INSTRUCTIONS FOR PACKAGING PROCEDURE.

UNLESS OTHERWISE SPECIFIED:

DIMENSIONS ARE IN INCHES  
TOLERANCES:  
FRACTIONAL  $\pm 1/32$   
ANGULAR:  $\pm 2^\circ$   
TWO PLACE DECIMAL  $\pm 0.010$   
THREE PLACE DECIMAL  $\pm 0.005$

INTERPRET GEOMETRIC  
TOLERANCING PER:  
ASME Y14.5 -2009

| NAME    | DATE |
|---------|------|
| DRAWN   |      |
| CHECKED |      |

TITLE:  
**ASSEMBLY**

| SIZE           | PART NO.            | REV          |
|----------------|---------------------|--------------|
| <b>A</b>       | 1216HOU-SWIF-02-CRS | <b>B</b>     |
| WEIGHT: 19.295 |                     | NO SCALE     |
|                |                     | SHEET 2 OF 7 |