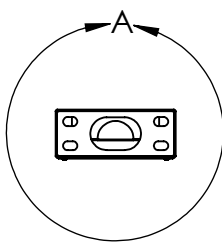
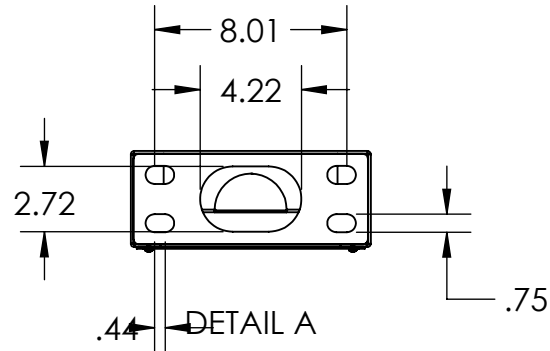
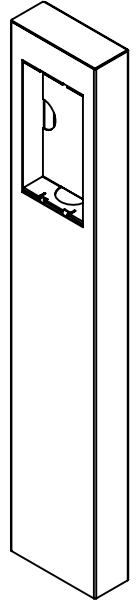
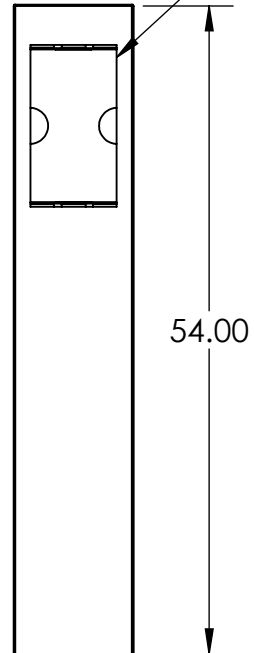


MOUNTS A COMELIT 3ONE6



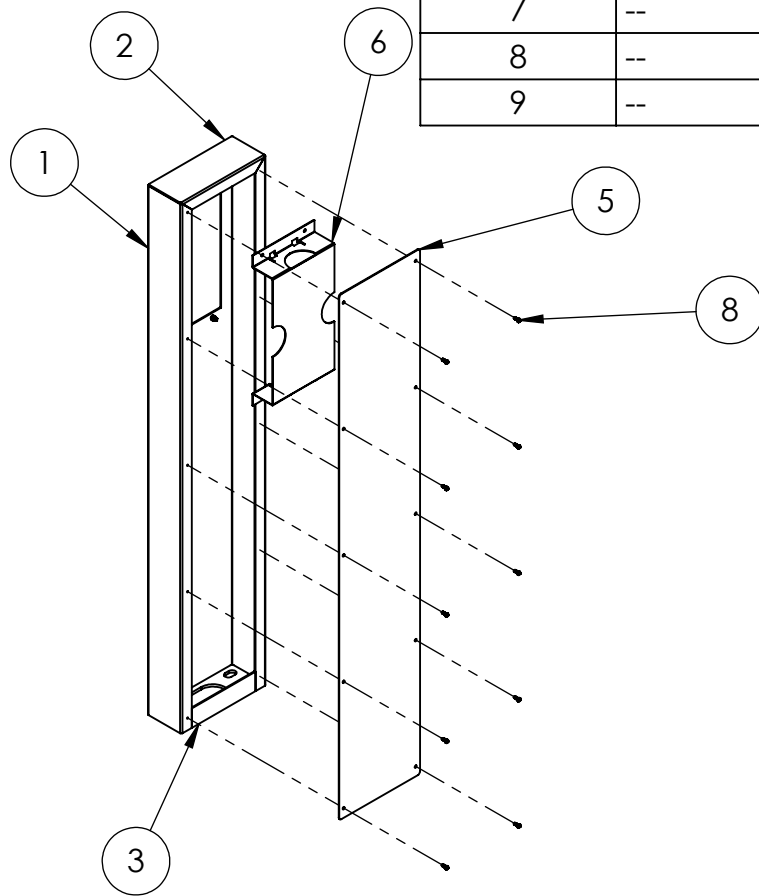
- NOTES:  
 1. MATERIAL OF CONSTRUCTION IS MILD STEEL.  
 2. 2-4 MILS FLAT BLACK POWDER COAT.

UNLESS OTHERWISE SPECIFIED:  
 DIMENSIONS ARE IN INCHES  
 TOLERANCES:  
 FRACTIONAL  $\pm 1/32$   
 ANGULAR:  $\pm 2^\circ$   
 TWO PLACE DECIMAL  $\pm 0.010$   
 THREE PLACE DECIMAL  $\pm 0.005$   
 INTERPRET GEOMETRIC  
 TOLERANCING PER:  
 ASME Y14.5 -2009

NAME	DATE
DRAWN	
CHECKED	

TITLE: <b>INSTALLATION</b>		SIZE <b>A</b>	PART NO. 104TOW-COM-001-CRS	REV <b>A</b>
WEIGHT: 46.044		NO SCALE		SHEET 1 OF 9

ITEM NO.	PART NUMBER	DESCRIPTION	QTY.
1	104TOW-COM-001-CRS MAIN BODY	MAIN BODY	1
2	104TOW-COM-001-CRS TOP	TOP	1
3	104TOW-COM-001-CRS BOTTOM CLOSURE	BOTTOM CLOSURE	1
4	104TOW-COM-001-CRS BASE PLATE	BASE PLATE	1
5	104TOW-COM-001-CRS ACCESS PANEL	ACCESS PANEL	1
6	BRA-COME-3ONE6	3ONE6 BRACKET	1
7	--	10-24 X 1/2" WELD STUD	4
8	--	8-32 X 1/2" PAN HEAD SCREW	10
9	--	10-24 SS NYLON LOCK NUT	4



NOTES:

1. SEE STANDARD PREPARATION AND COATING INSTRUCTIONS FOR COATING PROCEDURE AND COLOR.
2. SEE STANDARD PACKAGING INSTRUCTIONS FOR PACKAGING PROCEDURE.

UNLESS OTHERWISE SPECIFIED:  
 DIMENSIONS ARE IN INCHES  
 TOLERANCES:  
 FRACTIONAL  $\pm 1/32$   
 ANGULAR:  $\pm 2^\circ$   
 TWO PLACE DECIMAL  $\pm 0.010$   
 THREE PLACE DECIMAL  $\pm 0.005$   
 INTERPRET GEOMETRIC  
 TOLERANCING PER:  
 ASME Y14.5 -2009

	NAME	DATE
DRAWN		
CHECKED		

TITLE: <b>ASSEMBLY</b>		SIZE <b>A</b>	PART NO. 104TOW-COM-001-CRS	REV <b>A</b>
WEIGHT: 46.044		NO SCALE		SHEET 2 OF 9