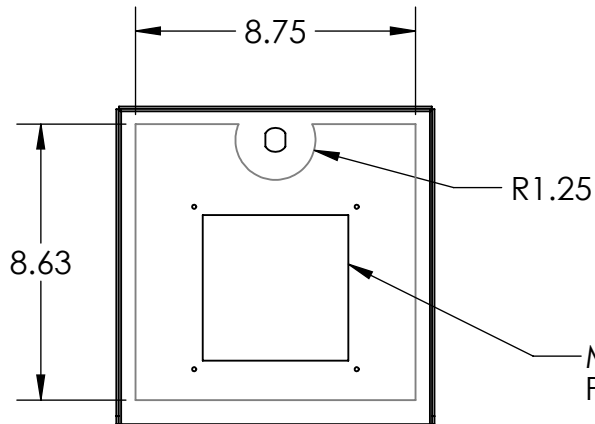
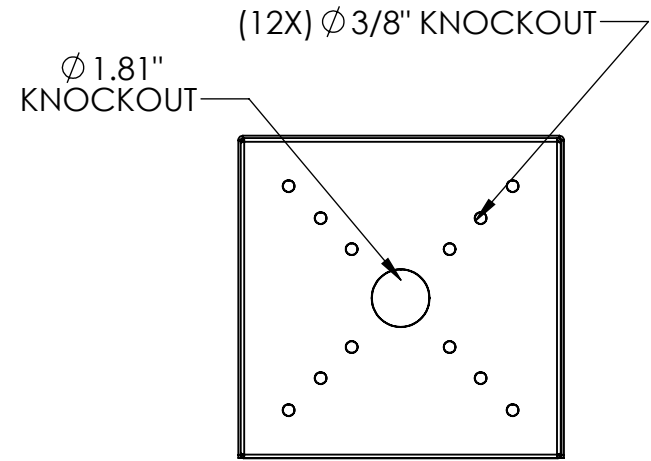
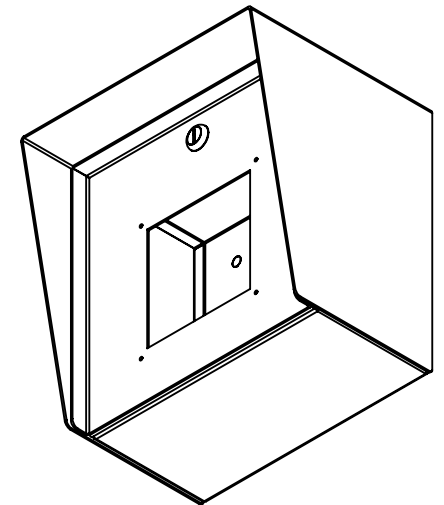


SECTION A-A



AVAILABLE CUTOUT AREA



NOTES:

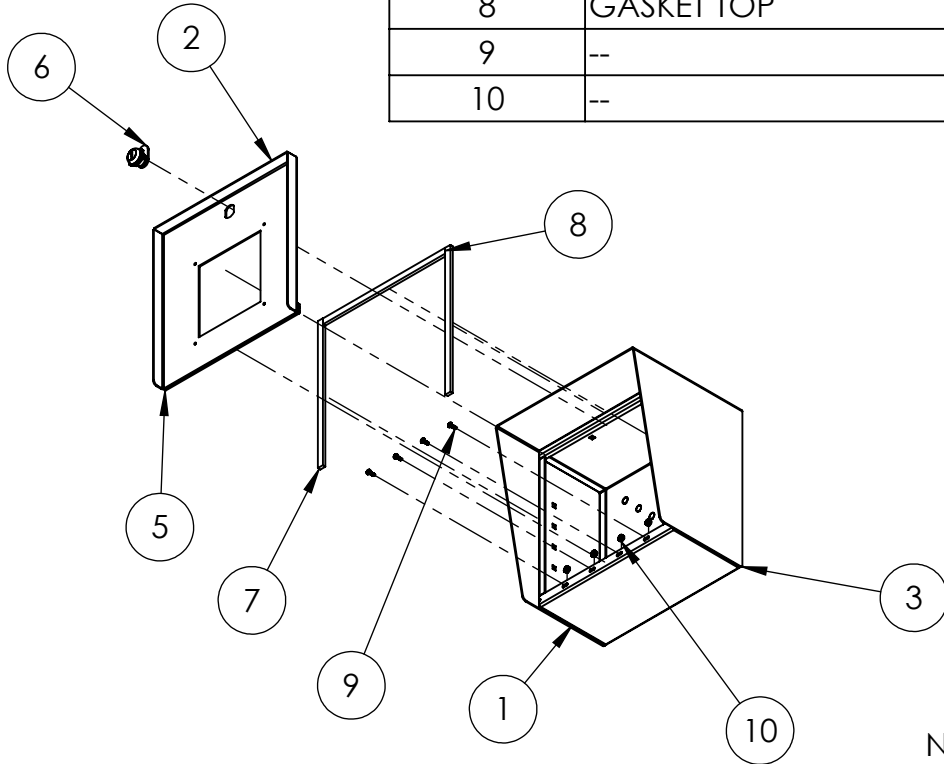
1. MATERIAL OF CONSTRUCTION IS MILD STEEL.
2. 2-4 MILS BLACK WRINKLE POWDER COAT.

UNLESS OTHERWISE SPECIFIED:
 DIMENSIONS ARE IN INCHES
 TOLERANCES:
 FRACTIONAL $\pm 1/32$
 ANGULAR: $\pm 2^\circ$
 TWO PLACE DECIMAL ± 0.010
 THREE PLACE DECIMAL ± 0.005
 INTERPRET GEOMETRIC
 TOLERANCING PER:
 ASME Y14.5 -2009

NAME	DATE
DRAWN	
CHECKED	

TITLE: INSTALLATION		SIZE A	PART NO. 1010HOU-ZENI-01-CRS	REV A
WEIGHT: 13.475		NO SCALE		SHEET 1 OF 7

ITEM NO.	PART NUMBER	DESCRIPTION	QTY.
1	1010HOU-ZENI-01-CRS ENCLOSURE	ENCLOSURE WELDMENT	1
2	1010HOU-ZENI-01-CRS DOOR	DOOR WELDMENT	1
3	1010HOU-ZENI-01-CRS HOOD	HOOD	1
4	1010HOU-ZENI-01-CRS ENCLOSURE WALL	ENCLOSURE WALL	2
5	HINGE	PIANO HINGE	1
6	CAM LOCK	STRAIGHT CAM	1
7	GASKET SIDE	3/8" X .150 WEATHERSTRIPPING	2
8	GASKET TOP	3/8" X .150 WEATHERSTRIPPING	1
9	--	6-32 SS PAN HEAD SCREW	4
10	--	6-32 EXTERNAL TOOTH LOCK NUT	4



NOTES:

1. SEE STANDARD PREPARATION AND COATING INSTRUCTIONS FOR COATING PROCEDURE AND COLOR.
2. SEE STANDARD PACKAGING INSTRUCTIONS FOR PACKAGING PROCEDURE.

UNLESS OTHERWISE SPECIFIED:

DIMENSIONS ARE IN INCHES
TOLERANCES:
FRACTIONAL $\pm 1/32$
ANGULAR: $\pm 2^\circ$
TWO PLACE DECIMAL ± 0.010
THREE PLACE DECIMAL ± 0.005

INTERPRET GEOMETRIC
TOLERANCING PER:
ASME Y14.5 -2009

NAME	DATE
DRAWN	
CHECKED	

TITLE:
ASSEMBLY

SIZE A	PART NO. 1010HOU-ZENI-01-CRS	REV A
WEIGHT: 13.475	NO SCALE	SHEET 2 OF 7