

NOTES:

1. MATERIAL OF CONSTRUCTION IS MILD STEEL.
2. 2-4 MILS BLACK WRINKLE POWDER COAT.

1. PWDR-BLACK-WRINKLE

UNLESS OTHERWISE SPECIFIED: ★	NAME	DATE
DIMENSIONS ARE IN INCHES	DRAWN	
TOLERANCES:	CHECKED	
FRACTIONAL ± 1/32	PROPRIETARY AND CONFIDENTIAL	
ANGULAR: ± 2°	THE INFORMATION CONTAINED IN THIS DRAWING IS THE SOLE PROPERTY OF PEDESTALPRO LLC. ANY REPRODUCTION IN PART OR AS A WHOLE WITHOUT THE WRITTEN PERMISSION OF PEDESTALPRO LLC IS PROHIBITED.	
TWO PLACE DECIMAL ± 0.010		
THREE PLACE DECIMAL ± 0.005		
INTERPRET GEOMETRIC TOLERANCING PER: ASME Y14.5 -2009		

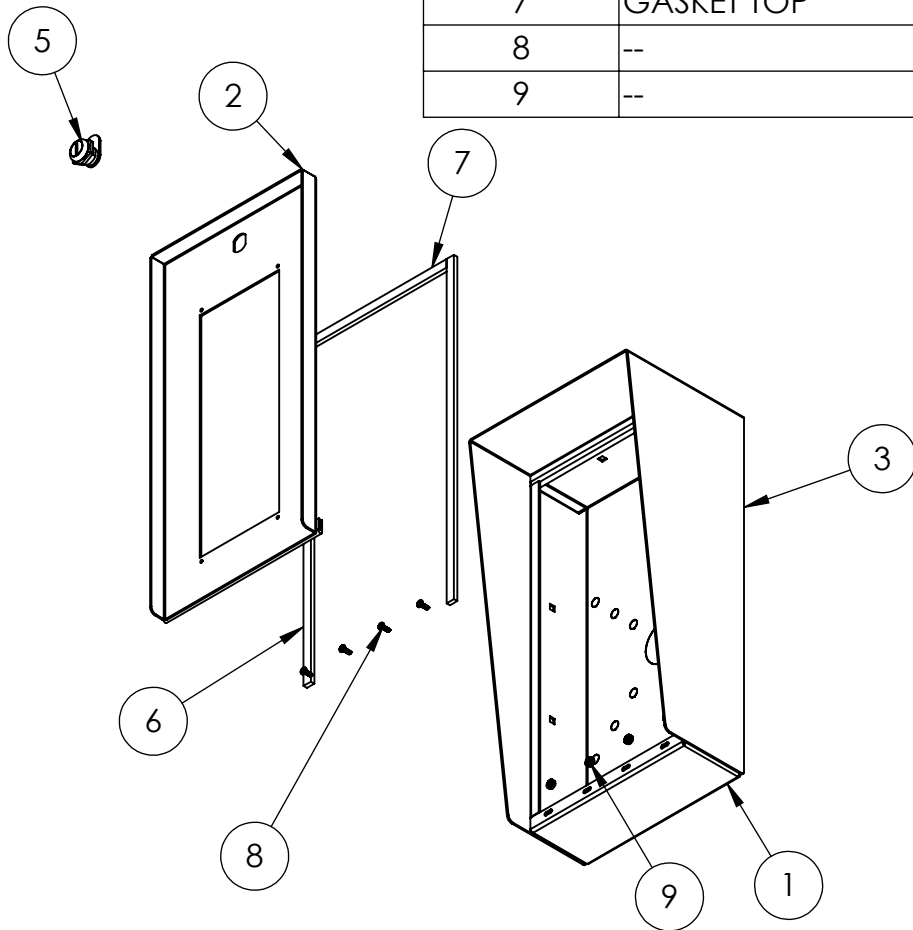
TITLE:		SIZE		PART NO.		REV	
INSTALLATION		A		816HOU-AIPH-02-CRS		C	
Wednesday, July 24, 2024 3:13:21 PM		WEIGHT: 12.919					

www.GooseneckStands.com

(888) 378 - 1045

Sales@GooseneckStands.com

ITEM NO.	PART NUMBER	DESCRIPTION	QTY.
1	816HOU-AIPH-02-CRS ENCLOSURE	ENCLOSURE WELDMENT	1
2	816HOU-AIPH-02-CRS DOOR	DOOR WELDMENT	1
3	816HOU-AIPH-02-CRS HOOD	HOOD	1
4	HINGE	PIANO HINGE	1
5	CAM LOCK	STRAIGHT CAM	1
6	GASKET SIDE	3/8" X .150 WEATHERSTRIPPING	2
7	GASKET TOP	3/8" X .150 WEATHERSTRIPPING	1
8	--	6-32 PAN HEAD SCREW	4
9	--	6-32 EXTERNAL TOOTH LOCK NUT	4



NOTES:

1. SEE STANDARD PREPARATION AND COATING INSTRUCTIONS FOR COATING PROCEDURE AND COLOR.
2. SEE STANDARD PACKAGING INSTRUCTIONS FOR PACKAGING PROCEDURE.

www.GooseneckStands.com

(888) 378 - 1045

Sales@GooseneckStands.com

UNLESS OTHERWISE SPECIFIED:

DIMENSIONS ARE IN INCHES
TOLERANCES:
FRACTIONAL $\pm 1/32$
ANGULAR: $\pm 2^\circ$
TWO PLACE DECIMAL ± 0.010
THREE PLACE DECIMAL ± 0.005

INTERPRET GEOMETRIC
TOLERANCING PER:
ASME Y14.5 -2009

NAME DATE

DRAWN

CHECKED

PROPRIETARY AND CONFIDENTIAL

THE INFORMATION CONTAINED IN THIS
DRAWING IS THE SOLE PROPERTY OF
PEDESTALPRO LLC. ANY REPRODUCTION
IN PART OR AS A WHOLE WITHOUT THE
WRITTEN PERMISSION OF PEDESTALPRO LLC
IS PROHIBITED.

TITLE:

ASSEMBLY

Wednesday, July 24, 2024
3:13:21 PM

WEIGHT: 12.919

SIZE
A

PART NO.
816HOU-AIPH-02-CRS

REV
C

NO SCALE

SHEET 2 OF 6