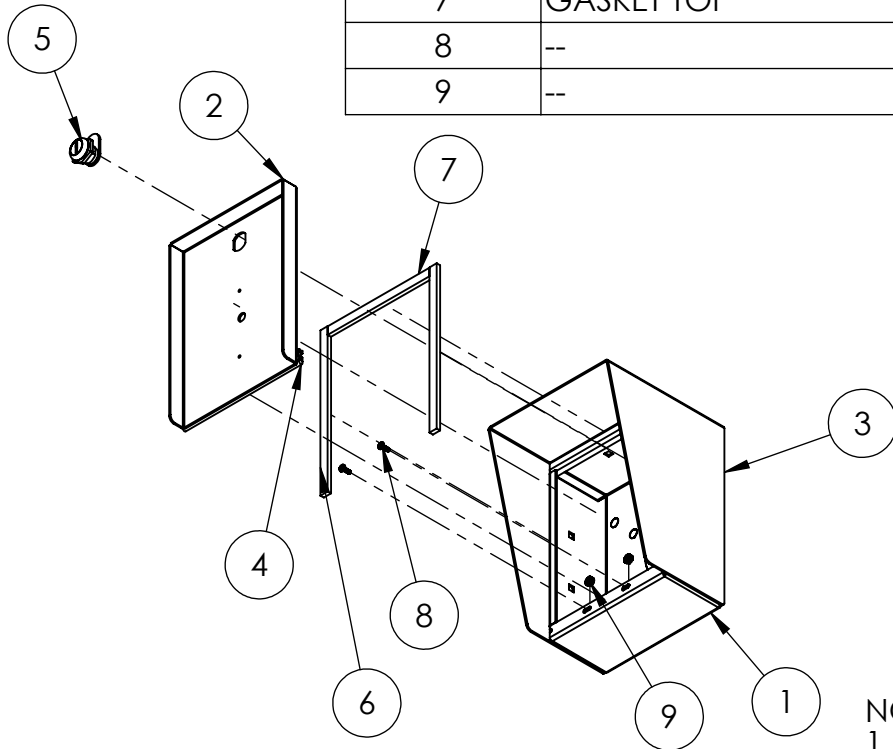


- NOTES:
1. MATERIAL OF CONSTRUCTION IS MILD STEEL.
 2. 2-4 MILS BLACK WRINKLE POWDER COAT.
 1. PWDR-BLACK-WRINKLE

| | | | | |
|--|--|---|---|--|
| www.GooseneckStands.com (888) 378 - 1045 Sales@GooseneckStands.com | UNLESS OTHERWISE SPECIFIED: ★ DIMENSIONS ARE IN INCHES TOLERANCES: FRACTIONAL ± 1/32 ANGULAR: ± 2° TWO PLACE DECIMAL ± 0.010 THREE PLACE DECIMAL ± 0.005 | DRAWN CHECKED | NAME DATE | TITLE: INSTALLATION |
| | INTERPRET GEOMETRIC TOLERANCING PER: ASME Y14.5 -2009 | PROPRIETARY AND CONFIDENTIAL THE INFORMATION CONTAINED IN THIS DRAWING IS THE SOLE PROPERTY OF PEDESTALPRO LLC. ANY REPRODUCTION IN PART OR AS A WHOLE WITHOUT THE WRITTEN PERMISSION OF PEDESTALPRO LLC IS PROHIBITED. | Thursday, October 29, 2020 10:51:19 AM WEIGHT: 6.812 | SIZE A PART NO. 68HOU-CONT-02-CRS (CHIME WIFI) NO SCALE |

| ITEM NO. | PART NUMBER | DESCRIPTION | QTY. |
|----------|--|------------------------------|------|
| 1 | 68HOU-CONT-02-CRS ENCLOSURE (CHIME WIFI) | ENCLOSURE WELDMENT | 1 |
| 2 | 68HOU-CONT-02-CRS DOOR (CHIME WIFI) | DOOR WELDMENT | 1 |
| 3 | 68HOU-CONT-02-CRS HOOD (CHIME WIFI) | HOOD | 1 |
| 4 | HINGE | PIANO HINGE | 1 |
| 5 | CAM LOCK | STRAIGHT CAM | 1 |
| 6 | GASKET SIDE | 3/8" X .150 WEATHERSTRIPPING | 2 |
| 7 | GASKET TOP | 3/8" X .150 WEATHERSTRIPPING | 1 |
| 8 | -- | 6-32 PAN HEAD SCREW | 2 |
| 9 | -- | 6-32 EXTERNAL TOOTH LOCK NUT | 2 |



NOTES:

- SEE STANDARD PREPARATION AND COATING INSTRUCTIONS FOR COATING PROCEDURE AND COLOR.
- SEE STANDARD PACKAGING INSTRUCTIONS FOR PACKAGING PROCEDURE.



PEDESTALPRO.COM
1-800-660-3072

UNLESS OTHERWISE SPECIFIED:

DIMENSIONS ARE IN INCHES
TOLERANCES:
FRACTIONAL $\pm 1/32$
ANGULAR: $\pm 2^\circ$
TWO PLACE DECIMAL ± 0.010
THREE PLACE DECIMAL ± 0.005

INTERPRET GEOMETRIC TOLERANCING PER: ASME Y14.5 -2009

| NAME | DATE |
|---------|------|
| DRAWN | |
| CHECKED | |

PROPRIETARY AND CONFIDENTIAL
THE INFORMATION CONTAINED IN THIS DRAWING IS THE SOLE PROPERTY OF PEDESTALPRO LLC. ANY REPRODUCTION IN PART OR AS A WHOLE WITHOUT THE WRITTEN PERMISSION OF PEDESTALPRO LLC IS PROHIBITED.

TITLE:
ASSEMBLY

Thursday, October 29, 2020 10:51:19 AM

WEIGHT: 6.812

SIZE **A** PART NO. 68HOU-CONT-02-CRS (CHIME WIFI) NO SCALE

REV **A**

SHEET 2 OF 6