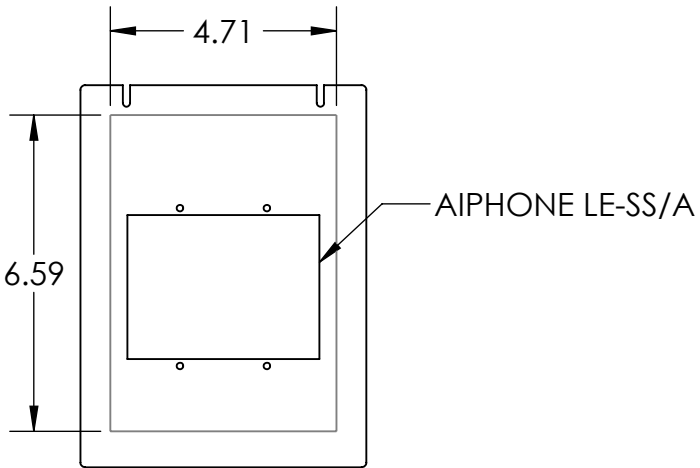
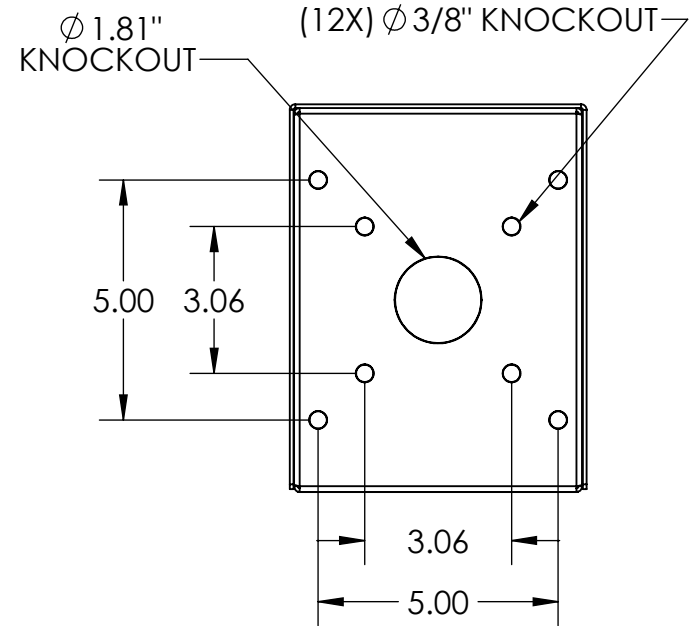
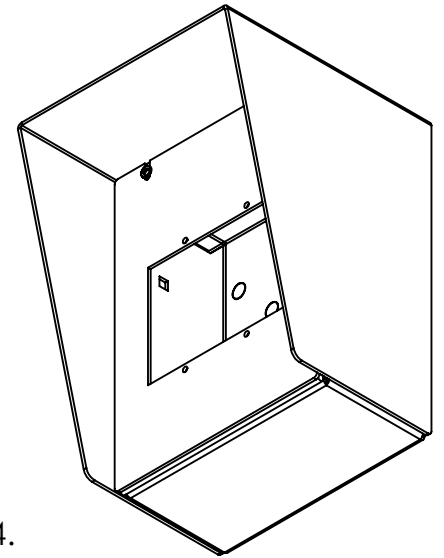


SECTION A-A



AVAILABLE CUTOUT AREA



NOTES:

1. MATERIAL OF CONSTRUCTION IS 304 SS, BRUSHED #4.

www.GooseneckStands.com

(888) 378 - 1045

Sales@GooseneckStands.com

UNLESS OTHERWISE SPECIFIED: ★

DIMENSIONS ARE IN INCHES
TOLERANCES:
FRACTIONAL $\pm 1/32$
ANGULAR: $\pm 2^\circ$
TWO PLACE DECIMAL ± 0.010
THREE PLACE DECIMAL ± 0.005

INTERPRET GEOMETRIC
TOLERANCING PER:
ASME Y14.5 -2009

| ★ | NAME | DATE |
|---------|------|------|
| DRAWN | | |
| CHECKED | | |

PROPRIETARY AND CONFIDENTIAL
THE INFORMATION CONTAINED IN THIS DRAWING IS THE SOLE PROPERTY OF PEDESTALPRO LLC. ANY REPRODUCTION IN PART OR AS A WHOLE WITHOUT THE WRITTEN PERMISSION OF PEDESTALPRO LLC IS PROHIBITED.

TITLE:

INSTALLATION

Monday, July 29, 2024
9:12:41 AM

WEIGHT: 6.626

SIZE
A

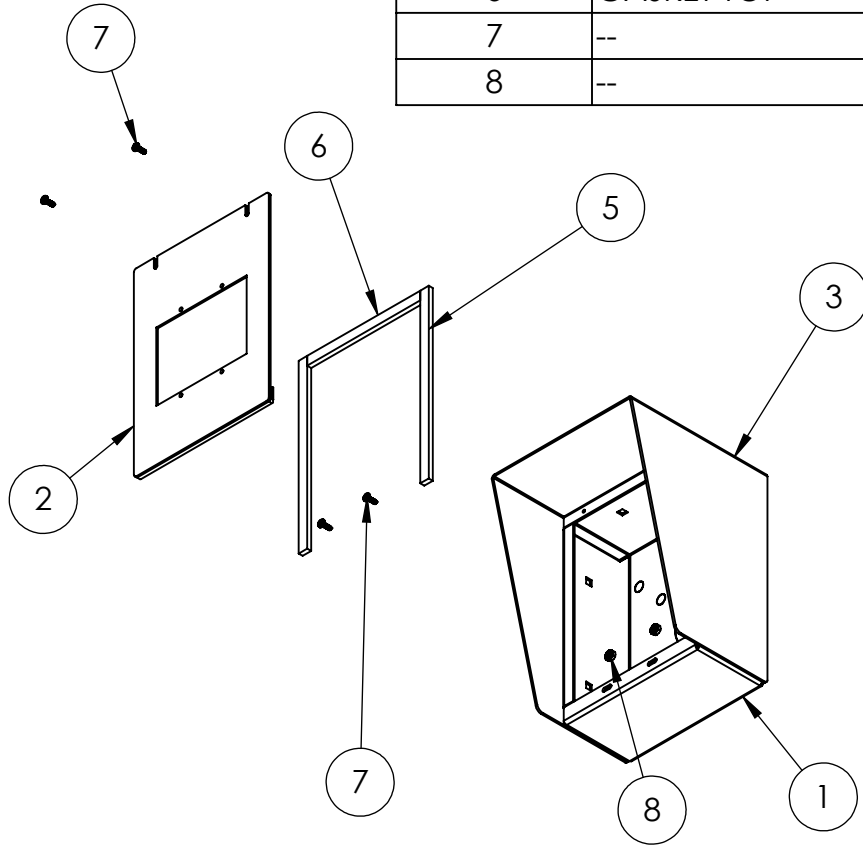
PART NO.
68HOU-AIPH-08-304

REV
A

NO SCALE

SHEET 1 OF 6

| ITEM NO. | PART NUMBER | DESCRIPTION | QTY. |
|----------|-----------------------------|------------------------------|------|
| 1 | 68HOU-AIPH-08-304 ENCLOSURE | ENCLOSURE WELDMENT | 1 |
| 2 | 68HOU-AIPH-08-304 DOOR | DOOR | 1 |
| 3 | 68HOU-AIPH-08-304 HOOD | HOOD | 1 |
| 4 | HINGE | PIANO HINGE | 1 |
| 5 | GASKET SIDE | 3/8" X .150 WEATHERSTRIPPING | 2 |
| 6 | GASKET TOP | 3/8" X .150 WEATHERSTRIPPING | 1 |
| 7 | -- | 6-32 PAN HEAD SCREW | 4 |
| 8 | -- | 6-32 EXTERNAL TOOTH LOCK NUT | 2 |



NOTES:

- SEE STANDARD PREPARATION AND COATING INSTRUCTIONS FOR COATING PROCEDURE AND COLOR.
- SEE STANDARD PACKAGING INSTRUCTIONS FOR PACKAGING PROCEDURE.

| | | | | | | | | | |
|--|---|---|--|--|------------------|-------------------------------|-----------------|----------|--|
| www.GooseneckStands.com (888) 378 - 1045 Sales@GooseneckStands.com | UNLESS OTHERWISE SPECIFIED: DIMENSIONS ARE IN INCHES TOLERANCES: FRACTIONAL $\pm 1/32$ ANGULAR: $\pm 2^\circ$ TWO PLACE DECIMAL ± 0.010 THREE PLACE DECIMAL ± 0.005 | NAME _____ DATE _____ DRAWN _____ CHECKED _____ | TITLE: <h1>ASSEMBLY</h1> | | | | | | |
| | INTERPRET GEOMETRIC TOLERANCING PER: ASME Y14.5 -2009 | PROPRIETARY AND CONFIDENTIAL THE INFORMATION CONTAINED IN THIS DRAWING IS THE SOLE PROPERTY OF PEDESTALPRO LLC. ANY REPRODUCTION IN PART OR AS A WHOLE WITHOUT THE WRITTEN PERMISSION OF PEDESTALPRO LLC IS PROHIBITED. | Monday, July 29, 2024 9:12:41 AM WEIGHT: 6.626 | <table border="1"> <tr> <td>SIZE A</td> <td>PART NO. 68HOU-AIPH-08-304</td> <td>REV A</td> </tr> <tr> <td colspan="2">NO SCALE</td> <td>SHEET 2 OF 6</td> </tr> </table> | SIZE A | PART NO. 68HOU-AIPH-08-304 | REV A | NO SCALE | |
| SIZE A | PART NO. 68HOU-AIPH-08-304 | REV A | | | | | | | |
| NO SCALE | | SHEET 2 OF 6 | | | | | | | |