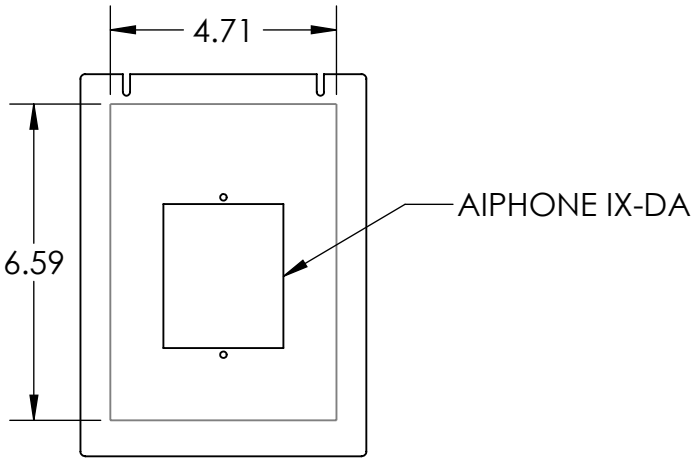
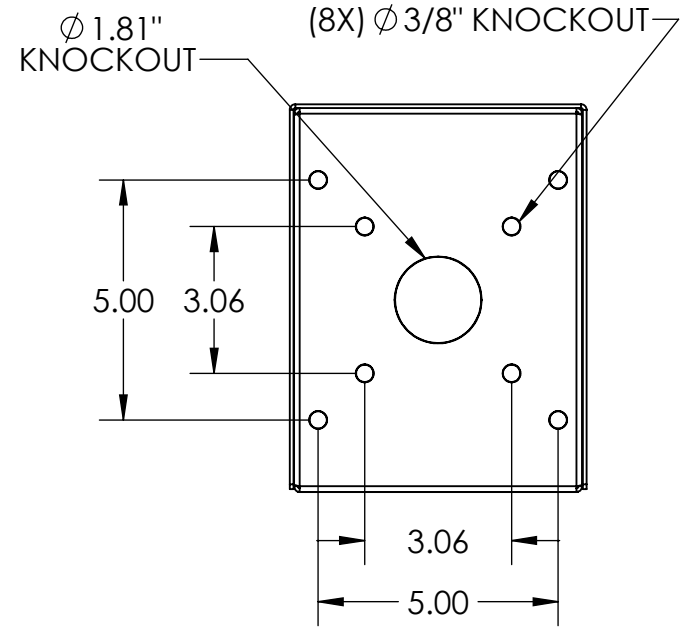


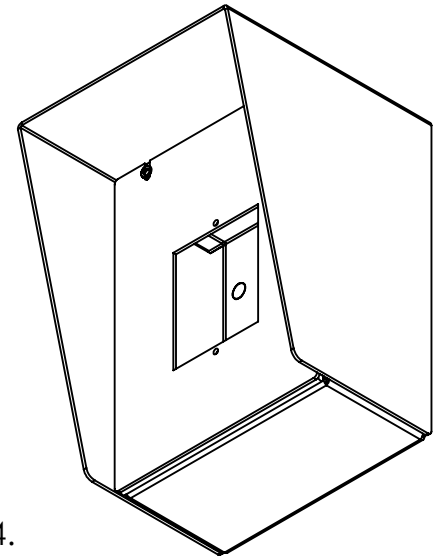
SECTION A-A



AVAILABLE CUTOUT AREA

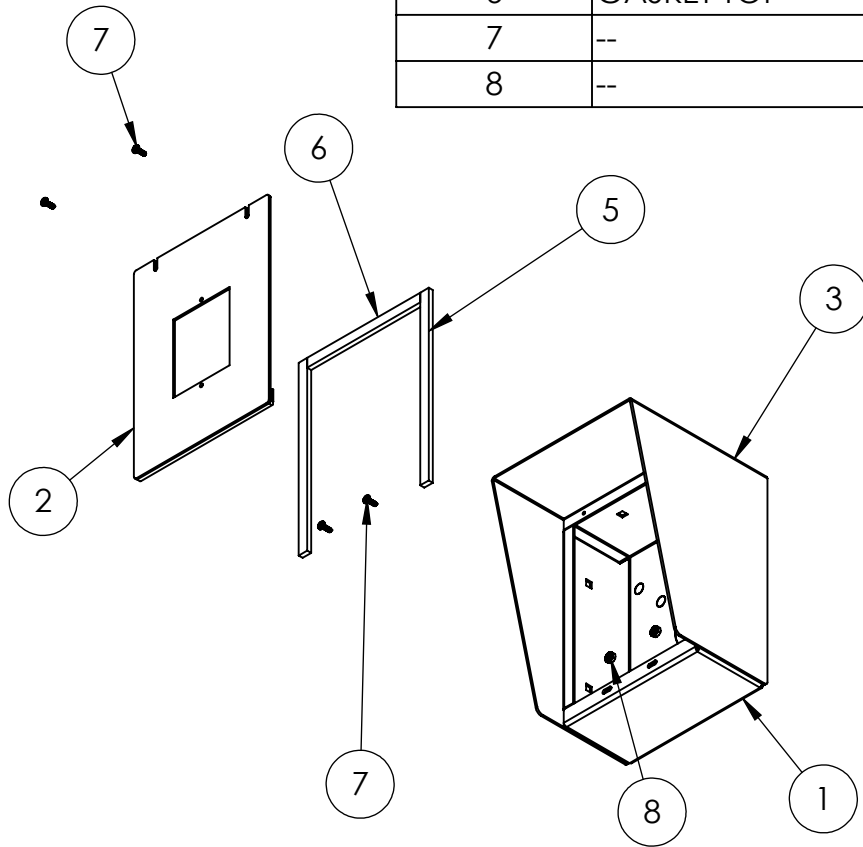
NOTES:

1. MATERIAL OF CONSTRUCTION IS 304 SS, BRUSHED #4.



<a href="http://www.GooseneckStands.com">www.GooseneckStands.com</a> (888) 378 - 1045 <a href="mailto:Sales@GooseneckStands.com">Sales@GooseneckStands.com</a>	UNLESS OTHERWISE SPECIFIED: ★	NAME	DATE	TITLE:		
	DIMENSIONS ARE IN INCHES TOLERANCES: FRACTIONAL ± 1/32 ANGULAR: ± 2° TWO PLACE DECIMAL ± 0.010 THREE PLACE DECIMAL ± 0.005	DRAWN			<b>INSTALLATION</b>	SIZE
INTERPRET GEOMETRIC TOLERANCING PER: ASME Y14.5 -2009	CHECKED			Monday, July 29, 2024 8:49:47 AM		<b>A</b>
PROPRIETARY AND CONFIDENTIAL THE INFORMATION CONTAINED IN THIS DRAWING IS THE SOLE PROPERTY OF PEDESTALPRO LLC. ANY REPRODUCTION IN PART OR AS A WHOLE WITHOUT THE WRITTEN PERMISSION OF PEDESTALPRO LLC IS PROHIBITED.				WEIGHT: 6.728	NO SCALE	REV <b>A</b>
						SHEET 1 OF 6

ITEM NO.	PART NUMBER	DESCRIPTION	QTY.
1	68HOU-AIPH-02-304 ENCLOSURE	ENCLOSURE WELDMENT	1
2	68HOU-AIPH-02-304 DOOR	DOOR	1
3	68HOU-AIPH-02-304 HOOD	HOOD	1
4	HINGE	PIANO HINGE	1
5	GASKET SIDE	3/8" X .150 WEATHERSTRIPPING	2
6	GASKET TOP	3/8" X .150 WEATHERSTRIPPING	1
7	--	6-32 PAN HEAD SCREW	4
8	--	6-32 EXTERNAL TOOTH LOCK NUT	2



**NOTES:**

- SEE STANDARD PREPARATION AND COATING INSTRUCTIONS FOR COATING PROCEDURE AND COLOR.
- SEE STANDARD PACKAGING INSTRUCTIONS FOR PACKAGING PROCEDURE.

<a href="http://www.GooseneckStands.com">www.GooseneckStands.com</a> (888) 378 - 1045 <a href="mailto:Sales@GooseneckStands.com">Sales@GooseneckStands.com</a>	UNLESS OTHERWISE SPECIFIED:  DIMENSIONS ARE IN INCHES TOLERANCES: FRACTIONAL $\pm 1/32$ ANGULAR: $\pm 2^\circ$ TWO PLACE DECIMAL $\pm 0.010$ THREE PLACE DECIMAL $\pm 0.005$	NAME _____ DATE _____  DRAWN _____ CHECKED _____  <b>PROPRIETARY AND CONFIDENTIAL</b> THE INFORMATION CONTAINED IN THIS DRAWING IS THE SOLE PROPERTY OF PEDESTALPRO LLC. ANY REPRODUCTION IN PART OR AS A WHOLE WITHOUT THE WRITTEN PERMISSION OF PEDESTALPRO LLC IS PROHIBITED.	TITLE:  <h1>ASSEMBLY</h1>
	INTERPRET GEOMETRIC TOLERANCING PER: ASME Y14.5 -2009	Monday, July 29, 2024 8:49:47 AM  WEIGHT: 6.728	SIZE <b>A</b> PART NO. 68HOU-AIPH-02-304  NO SCALE