

— AXIS I8016-LVE

1.81" ELECTRICAL KNOCKOUT

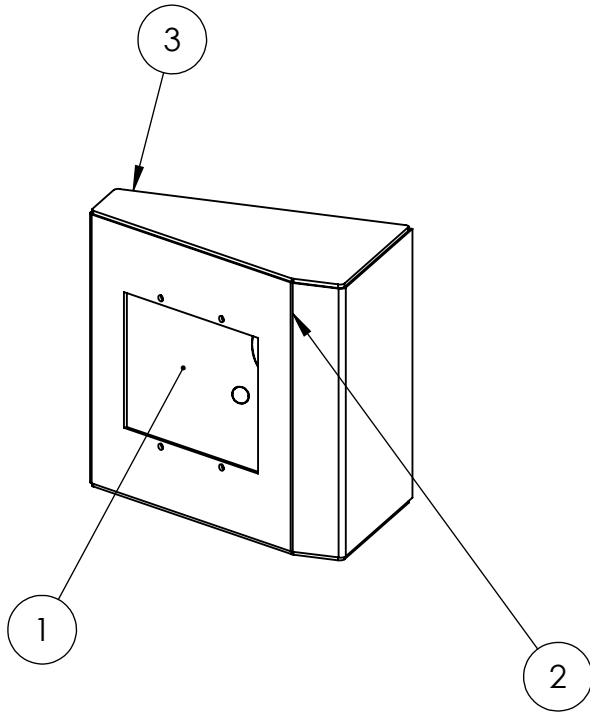
(4X) .375" ELECTRICAL BOX KNOCKOUTS

**NOTES:**

1. MATERIAL OF CONSTRUCTION IS 304 SS, BRUSHED #4.

<a href="http://www.GooseneckStands.com">www.GooseneckStands.com</a> (888) 378 - 1045 <a href="mailto:Sales@GooseneckStands.com">Sales@GooseneckStands.com</a>	UNLESS OTHERWISE SPECIFIED: DIMENSIONS ARE IN INCHES TOLERANCES: FRACTIONAL $\pm 1/32$ ANGULAR: $\pm 2^\circ$ TWO PLACE DECIMAL $\pm 0.010$ THREE PLACE DECIMAL $\pm 0.005$	NAME _____ DATE _____ DRAWN _____ CHECKED _____	TITLE:
	INTERPRET GEOMETRIC TOLERANCING PER: ASME Y14.5 -2009	<b>PROPRIETARY AND CONFIDENTIAL</b> THE INFORMATION CONTAINED IN THIS DRAWING IS THE SOLE PROPERTY OF PEDESTALPRO LLC. ANY REPRODUCTION IN PART OR AS A WHOLE WITHOUT THE WRITTEN PERMISSION OF PEDESTALPRO LLC IS PROHIBITED.	<b>INSTALLATION</b>  Wednesday, December 18, 2019 12:16:13 PM WEIGHT: _____
			REV <b>0</b> SHEET 1 OF 6

ITEM NO.	PART NUMBER	DESCRIPTION	QTY.
1	66HOU-AXIS-01-CRS REAR	REAR ENCLOSURE	1
2	66HOU-AXIS-01-CRS FRONT	FRONT ENCLOSURE	1
3	66HOU-AXIS-01-304 TOP AND BOTTOM	TOP AND BOTTOM WELDMENT	2



NOTES:

1. SEE STANDARD PREPARATION AND COATING INSTRUCTIONS FOR COATING PROCEDURE AND COLOR.
2. SEE STANDARD PACKAGING INSTRUCTIONS FOR PACKAGING PROCEDURE.

<a href="http://www.GooseneckStands.com">www.GooseneckStands.com</a> (888) 378 - 1045 <a href="mailto:Sales@GooseneckStands.com">Sales@GooseneckStands.com</a>	UNLESS OTHERWISE SPECIFIED:	NAME	DATE	TITLE:			
	DIMENSIONS ARE IN INCHES TOLERANCES: FRACTIONAL $\pm 1/32$ ANGULAR: $\pm 2^\circ$ TWO PLACE DECIMAL $\pm 0.010$ THREE PLACE DECIMAL $\pm 0.005$	DRAWN			<b>ASSEMBLY</b>  Wednesday, December 18, 2019 12:16:13 PM WEIGHT:	SIZE	PART NO.
INTERPRET GEOMETRIC TOLERANCING PER: ASME Y14.5 -2009	CHECKED			<b>A</b>		66HOU-AXIS-01-304	0
<b>PROPRIETARY AND CONFIDENTIAL</b> THE INFORMATION CONTAINED IN THIS DRAWING IS THE SOLE PROPERTY OF PEDESTALPRO LLC. ANY REPRODUCTION IN PART OR AS A WHOLE WITHOUT THE WRITTEN PERMISSION OF PEDESTALPRO LLC IS PROHIBITED.					NO SCALE	SHEET 2 OF 6	