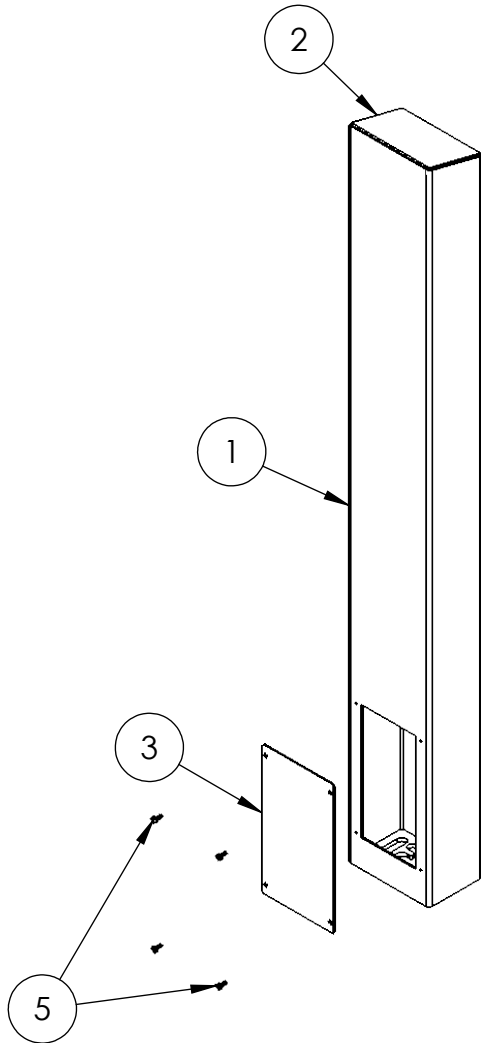


NOTES:  
 1. MATERIAL OF CONSTRUCTION IS 304 SS, BRUSHED #4.

<a href="http://www.GooseneckStands.com">www.GooseneckStands.com</a> (888) 378 - 1045 <a href="mailto:Sales@GooseneckStands.com">Sales@GooseneckStands.com</a>	UNLESS OTHERWISE SPECIFIED:	NAME	DATE	TITLE:			
	DIMENSIONS ARE IN INCHES TOLERANCES: FRACTIONAL $\pm 1/32$ ANGULAR: $\pm 2^\circ$ TWO PLACE DECIMAL $\pm 0.010$ THREE PLACE DECIMAL $\pm 0.005$	DRAWN			<b>INSTALLATION</b>  Monday, December 30, 2024 8:51:31 AM	SIZE	PART NO.
INTERPRET GEOMETRIC TOLERANCING PER: ASME Y14.5 -2009	CHECKED			<b>A</b>		64TOW-VERK-02-304 (TD-53)	<b>A</b>
<b>PROPRIETARY AND CONFIDENTIAL</b> THE INFORMATION CONTAINED IN THIS DRAWING IS THE SOLE PROPERTY OF PEDESTALPRO LLC. ANY REPRODUCTION IN PART OR AS A WHOLE WITHOUT THE WRITTEN PERMISSION OF PEDESTALPRO LLC IS PROHIBITED.				WEIGHT: 33.264	NO SCALE	SHEET 1 OF 7	

ITEM NO.	PART NUMBER	DESCRIPTION	QTY.
1	64TOW-VERK-02-304 (TD-53)	TOWER WELDMENT	1
2	PLTCAP-46-46-30	CAP	1
3	PLTACC-510	ACCESS PANEL	1
4	PLTBAS-46-46	BASE PLATE	1
5	--	8-32 X 1/2" SS BUTTON HEAD SCREW	4



NOTES:

- SEE STANDARD PREPARATION AND COATING INSTRUCTIONS FOR COATING PROCEDURE AND COLOR.
- SEE STANDARD PACKAGING INSTRUCTIONS FOR PACKAGING PROCEDURE.

<a href="http://www.GooseneckStands.com">www.GooseneckStands.com</a> (888) 378 - 1045 <a href="mailto:Sales@GooseneckStands.com">Sales@GooseneckStands.com</a>	UNLESS OTHERWISE SPECIFIED:	NAME	DATE	TITLE:		
	DIMENSIONS ARE IN INCHES TOLERANCES: FRACTIONAL $\pm 1/32$ ANGULAR: $\pm 2^\circ$ TWO PLACE DECIMAL $\pm 0.010$ THREE PLACE DECIMAL $\pm 0.005$	DRAWN			<b>ASSEMBLY</b>	SIZE
INTERPRET GEOMETRIC TOLERANCING PER: ASME Y14.5 -2009	CHECKED			Monday, December 30, 2024 8:51:31 AM		<b>A</b>
<b>PROPRIETARY AND CONFIDENTIAL</b> THE INFORMATION CONTAINED IN THIS DRAWING IS THE SOLE PROPERTY OF PEDESTALPRO LLC. ANY REPRODUCTION IN PART OR AS A WHOLE WITHOUT THE WRITTEN PERMISSION OF PEDESTALPRO LLC IS PROHIBITED.				WEIGHT: 33.264	NO SCALE	REV <b>A</b>
					SHEET 2 OF 7	