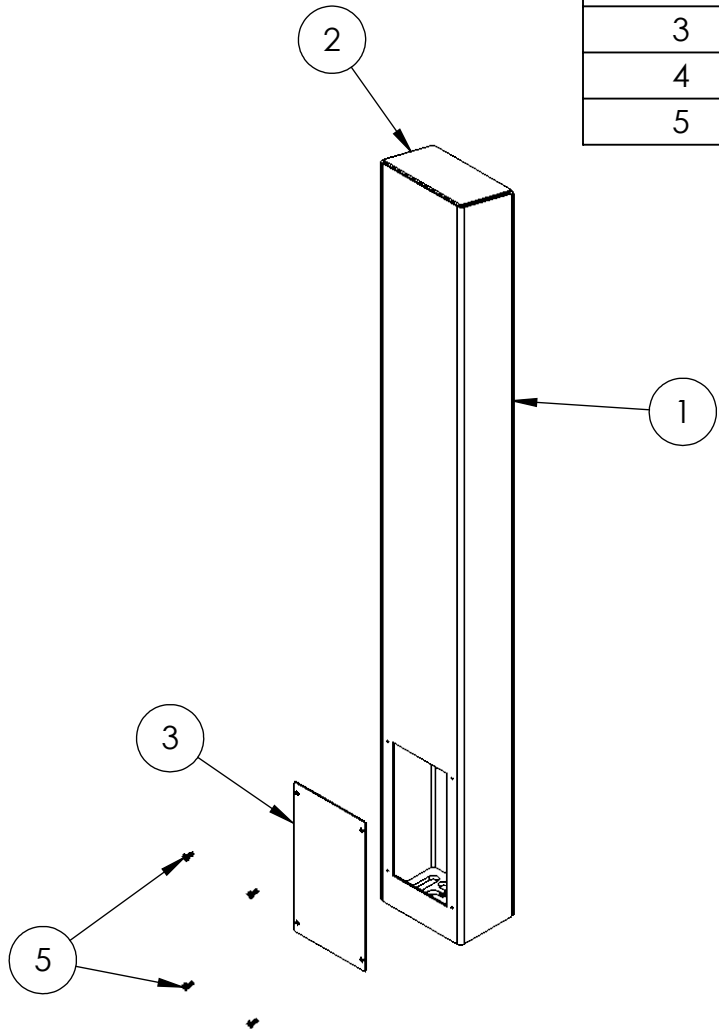


NOTES:  
 1. MATERIAL OF CONSTRUCTION IS 304 SS, BRUSHED #4.

|  |   |       |      |                |  |                   |          |
|--|---|-------|------|----------------|--|-------------------|----------|
| <a href="http://www.GooseneckStands.com">www.GooseneckStands.com</a><br>(888) 378 - 1045<br><a href="mailto:Sales@GooseneckStands.com">Sales@GooseneckStands.com</a> | UNLESS OTHERWISE SPECIFIED:   | NAME  | DATE | TITLE:         |  |                   |          |
|  | DIMENSIONS ARE IN INCHES<br>TOLERANCES:<br>FRACTIONAL $\pm 1/32$<br>ANGULAR: $\pm 2^\circ$<br>TWO PLACE DECIMAL $\pm 0.010$<br>THREE PLACE DECIMAL $\pm 0.005$  | DRAWN |      |                | <b>INSTALLATION</b><br><br>Tuesday, October 23,<br>2018 1:52:42 PM | SIZE              | PART NO. |
| INTERPRET GEOMETRIC<br>TOLERANCING PER:<br>ASME Y14.5 -2009  | CHECKED   |       |      | <b>A</b>       |  | 64TOW-AIPH-12-304 | <b>B</b> |
|  | <b>PROPRIETARY AND CONFIDENTIAL</b><br>THE INFORMATION CONTAINED IN THIS DRAWING IS THE SOLE PROPERTY OF PEDESTALPRO LLC. ANY REPRODUCTION IN PART OR AS A WHOLE WITHOUT THE WRITTEN PERMISSION OF PEDESTALPRO LLC IS PROHIBITED. |       |      | WEIGHT: 33.428 | NO SCALE   | SHEET 1 OF 7      |          |

| ITEM NO. | PART NUMBER       | DESCRIPTION                      | QTY. |
|----------|-------------------|----------------------------------|------|
| 1        | 64TOW-AIPH-12-304 | TOWER WELDMENT                   | 1    |
| 2        | PLTCAP-46-46-30   | CAP                              | 1    |
| 3        | PLTACC-510        | ACCESS PANEL                     | 1    |
| 4        | PLTBAS-46-46      | BASE PLATE                       | 1    |
| 5        | --                | 8-32 X 1/2" SS BUTTON HEAD SCREW | 4    |



NOTES:

- SEE STANDARD PREPARATION AND COATING INSTRUCTIONS FOR COATING PROCEDURE AND COLOR.
- SEE STANDARD PACKAGING INSTRUCTIONS FOR PACKAGING PROCEDURE.

|  |  |       |      |                                      |                 |              |                   |
|--|--|-------|------|--------------------------------------|-----------------|--------------|-------------------|
| <a href="http://www.GooseneckStands.com">www.GooseneckStands.com</a><br>(888) 378 - 1045<br><a href="mailto:Sales@GooseneckStands.com">Sales@GooseneckStands.com</a>   | UNLESS OTHERWISE SPECIFIED:  | NAME  | DATE | TITLE:                               |                 |              |                   |
|  | DIMENSIONS ARE IN INCHES<br>TOLERANCES:<br>FRACTIONAL $\pm 1/32$<br>ANGULAR: $\pm 2^\circ$<br>TWO PLACE DECIMAL $\pm 0.010$<br>THREE PLACE DECIMAL $\pm 0.005$ | DRAWN |      |                                      | <b>ASSEMBLY</b> | SIZE         | PART NO.          |
| INTERPRET GEOMETRIC TOLERANCING PER: ASME Y14.5 -2009  | CHECKED  |       |      | Tuesday, October 23, 2018 1:52:42 PM |                 | <b>A</b>     | 64TOW-AIPH-12-304 |
| PROPRIETARY AND CONFIDENTIAL<br>THE INFORMATION CONTAINED IN THIS DRAWING IS THE SOLE PROPERTY OF PEDESTALPRO LLC. ANY REPRODUCTION IN PART OR AS A WHOLE WITHOUT THE WRITTEN PERMISSION OF PEDESTALPRO LLC IS PROHIBITED. |  |       |      | WEIGHT: 33.428                       | NO SCALE        | SHEET 2 OF 7 |                   |