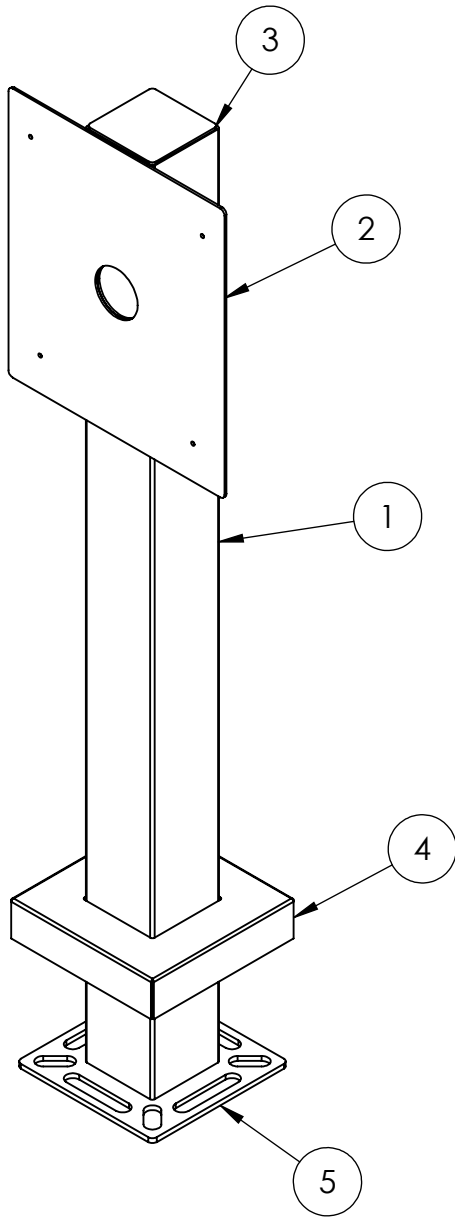


CELLGATE WATCHMAN
WXL SURFACE FACE PLATE

DETAIL A

- NOTES:
 1. MATERIAL OF CONSTRUCTION IS MILD STEEL.
 2. 2-4 MILS BLACK WRINKLE POWDER COAT.
 1. PWDR-BLACK-WRINKLE

| | | | | | | |
|---|--|-------|------|----------|---|--|
| www.GooseneckStands.com (888) 378 - 1045 Sales@GooseneckStands.com | UNLESS OTHERWISE SPECIFIED: | NAME | DATE | TITLE: | | |
| | DIMENSIONS ARE IN INCHES TOLERANCES: FRACTIONAL $\pm 1/32$ ANGULAR: $\pm 2^\circ$ TWO PLACE DECIMAL ± 0.010 THREE PLACE DECIMAL ± 0.005 | DRAWN | | | INSTALLATION Tuesday, January 28, 2025 10:51:25 AM WEIGHT: 32.191 | SIZE |
| INTERPRET GEOMETRIC TOLERANCING PER: ASME Y14.5 -2009 | CHECKED | | | A | | 44TOW-CELL-01-CRS (WXL) NO SCALE |
| PROPRIETARY AND CONFIDENTIAL THE INFORMATION CONTAINED IN THIS DRAWING IS THE SOLE PROPERTY OF PEDESTALPRO LLC. ANY REPRODUCTION IN PART OR AS A WHOLE WITHOUT THE WRITTEN PERMISSION OF PEDESTALPRO LLC IS PROHIBITED. | | | | | | SHEET 1 OF 7 |



| ITEM NO. | PART NUMBER | DESCRIPTION | QTY. |
|----------|------------------------------------|----------------|------|
| 1 | 44TOW-CELL-01-CRS (WXL) | TOWER WELDMENT | 1 |
| 2 | 44TOW-CELL-01-CRS FACE PLATE (WXL) | FACE PLATE | 1 |
| 3 | PLTCAP-4 | CAP | 1 |
| 4 | PLTCOV-8-4 | COVER PLATE | 1 |
| 5 | PLTBAS-8-4 | BASE PLATE | 1 |

NOTES:

1. SEE STANDARD PREPARATION AND COATING INSTRUCTIONS FOR COATING PROCEDURE AND COLOR.
2. SEE STANDARD PACKAGING INSTRUCTIONS FOR PACKAGING PROCEDURE.

| | | | |
|--|---|---|---|
| www.GooseneckStands.com (888) 378 - 1045 Sales@GooseneckStands.com | UNLESS OTHERWISE SPECIFIED: DIMENSIONS ARE IN INCHES TOLERANCES: FRACTIONAL $\pm 1/32$ ANGULAR: $\pm 2^\circ$ TWO PLACE DECIMAL ± 0.010 THREE PLACE DECIMAL ± 0.005 | NAME DATE | TITLE: ASSEMBLY |
| | INTERPRET GEOMETRIC TOLERANCING PER: ASME Y14.5 -2009 | DRAWN CHECKED PROPRIETARY AND CONFIDENTIAL THE INFORMATION CONTAINED IN THIS DRAWING IS THE SOLE PROPERTY OF PEDESTALPRO LLC. ANY REPRODUCTION IN PART OR AS A WHOLE WITHOUT THE WRITTEN PERMISSION OF PEDESTALPRO LLC IS PROHIBITED. | Tuesday, January 28, 2025 10:51:25 AM WEIGHT: 32.191 |
| | | | REV A SHEET 2 OF 7 |