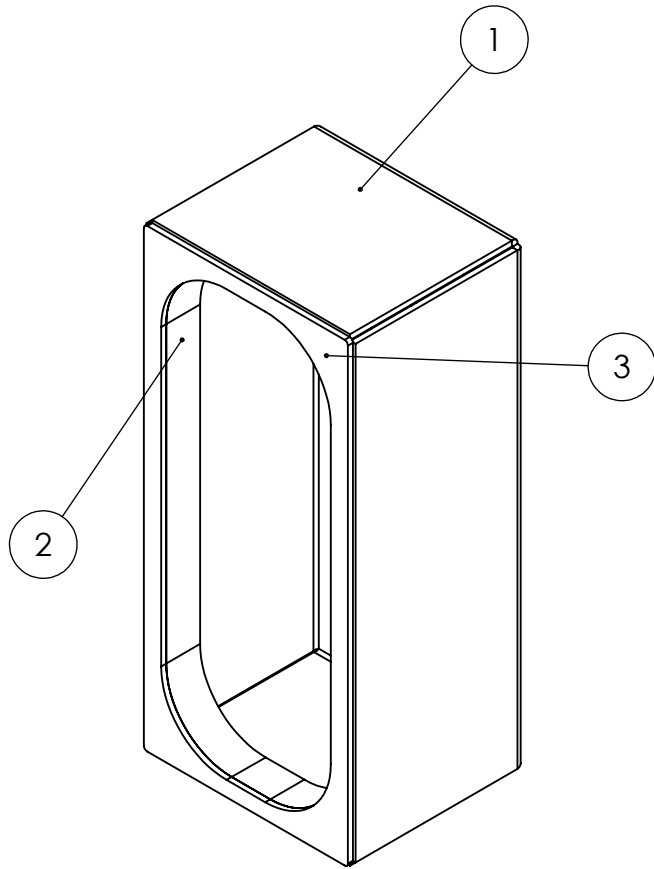


**NOTES:**

1. MATERIAL OF CONSTRUCTION IS MILD STEEL.
2. 2-4 MILS SD FLAT BLACK POWDER COAT.
1. PWDR-BLACK-FLAT

<a href="http://www.GooseneckStands.com">www.GooseneckStands.com</a> (888) 378 - 1045 <a href="mailto:Sales@GooseneckStands.com">Sales@GooseneckStands.com</a>	UNLESS OTHERWISE SPECIFIED:	NAME	DATE	TITLE:			
	DIMENSIONS ARE IN INCHES TOLERANCES: FRACTIONAL $\pm 1/32$ ANGULAR: $\pm 2^\circ$ TWO PLACE DECIMAL $\pm 0.010$ THREE PLACE DECIMAL $\pm 0.005$	DRAWN			<b>INSTALLATION</b>  Thursday, November 7, 2024 2:36:51 PM	SIZE	PART NO.
INTERPRET GEOMETRIC TOLERANCING PER: ASME Y14.5 -2009	CHECKED			<b>A</b>		36BOX-AXIS-01-CRS	<b>A</b>
<b>PROPRIETARY AND CONFIDENTIAL</b> THE INFORMATION CONTAINED IN THIS DRAWING IS THE SOLE PROPERTY OF PEDESTALPRO LLC. ANY REPRODUCTION IN PART OR AS A WHOLE WITHOUT THE WRITTEN PERMISSION OF PEDESTALPRO LLC IS PROHIBITED.				WEIGHT:	NO SCALE	SHEET 1 OF 6	

ITEM NO.	PART NUMBER	DESCRIPTION	QTY.
1	36BOX-AXIS-01-CRS	SURFACE MOUNTING BOX	1
2	IP ONE STANDOFF	DEVICE MOUNTING STANDOFF	1
3	36BOX-AXIS-01-CRS FRONT	FRONT PLATE	1



www.GooseneckStands.com

(888) 378 - 1045

Sales@GooseneckStands.com

UNLESS OTHERWISE SPECIFIED:

DIMENSIONS ARE IN INCHES  
TOLERANCES:  
FRACTIONAL  $\pm 1/32$   
ANGULAR:  $\pm 2^\circ$   
TWO PLACE DECIMAL  $\pm 0.010$   
THREE PLACE DECIMAL  $\pm 0.005$

INTERPRET GEOMETRIC  
TOLERANCING PER:  
ASME Y14.5 -2009

	NAME	DATE
DRAWN		
CHECKED		

**PROPRIETARY AND CONFIDENTIAL**  
THE INFORMATION CONTAINED IN THIS  
DRAWING IS THE SOLE PROPERTY OF  
PEDESTALPRO LLC. ANY REPRODUCTION  
IN PART OR AS A WHOLE WITHOUT THE  
WRITTEN PERMISSION OF PEDESTALPRO LLC  
IS PROHIBITED.

TITLE:  
**ASSEMBLY**

Thursday, November 7,  
2024 2:36:51 PM

WEIGHT:

SIZE	PART NO.	REV
<b>A</b>	36BOX-AXIS-01-CRS	<b>A</b>
NO SCALE		SHEET 2 OF 6