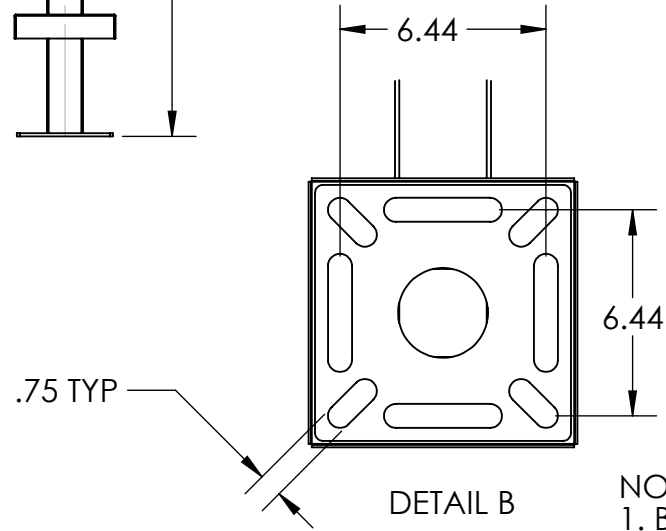
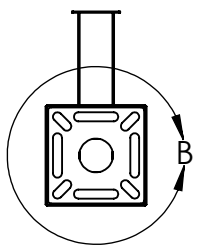
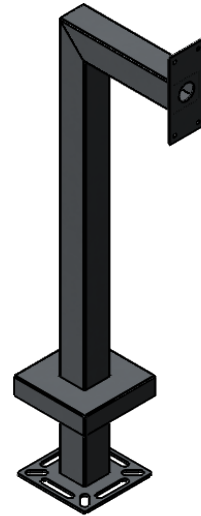
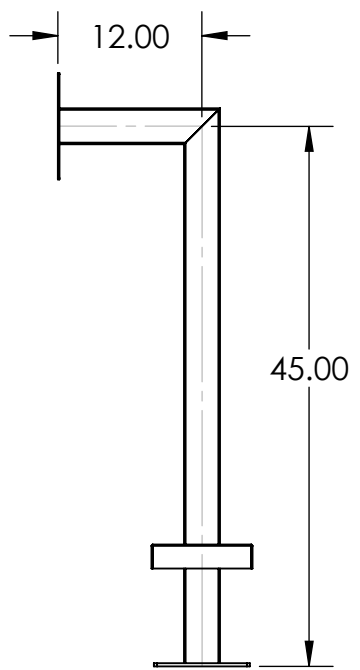
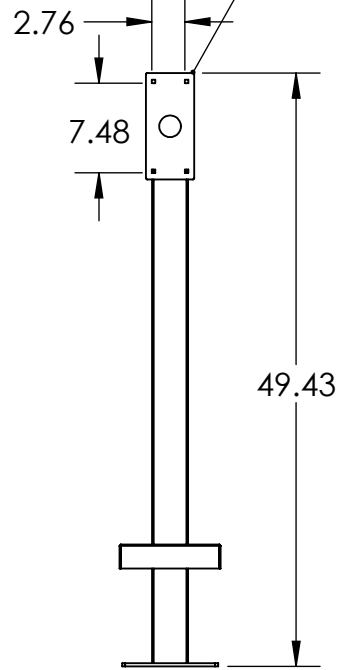


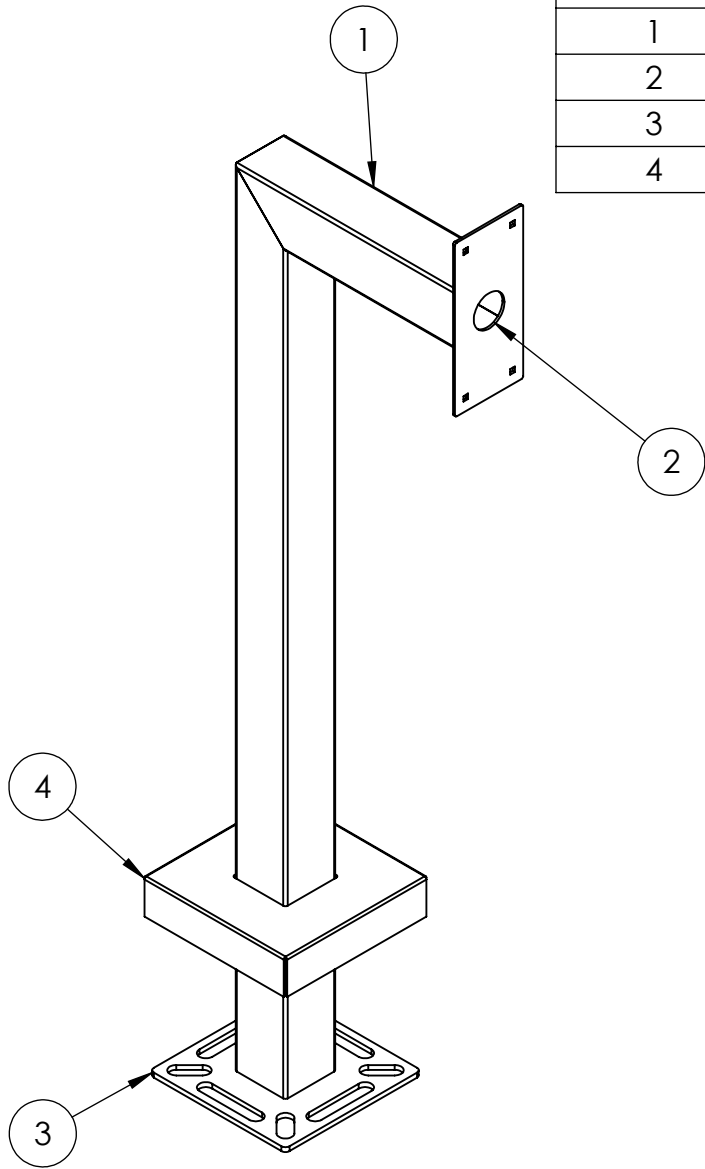
DOORBIRD D2101V
SURFACE MOUNT



NOTES:
1. BRUSHED 304 SS CONSTRUCTION.

www.GooseneckStands.com (800) 878-7829 Sales@GooseneckStands.com	UNLESS OTHERWISE SPECIFIED:	NAME	DATE	TITLE:				
	DIMENSIONS ARE IN INCHES TOLERANCES: FRACTIONAL $\pm 1/32$ ANGULAR: $\pm 2^\circ$ TWO PLACE DECIMAL ± 0.010 THREE PLACE DECIMAL ± 0.005	DRAWN			<h1>INSTALLATION</h1>			
	INTERPRET GEOMETRIC TOLERANCING PER: ASME Y14.5 -2009	CHECKED				Friday, August 7, 2020 9:49:53 AM	SIZE A	PART NO. 33PE1-DOOR-01-304
	PROPRIETARY AND CONFIDENTIAL THE INFORMATION CONTAINED IN THIS DRAWING IS THE SOLE PROPERTY OF PEDESTALPRO LLC. ANY REPRODUCTION IN PART OR AS A WHOLE WITHOUT THE WRITTEN PERMISSION OF PEDESTALPRO LLC IS PROHIBITED.			WEIGHT: 30.235	NO SCALE		SHEET 1 OF 3	

ITEM NO.	PART NUMBER	DESCRIPTION	QTY.
1	33PE1-DOOR-01-304 TUBE	3 X 3 304 SS TUBE	1
2	PLAFAC-48-2	DOORBIRD D2101V FACE PLATE	1
3	PLTBAS-8-3	STND 8" BASE PLATE 304 SS	1
4	PLTCOV-8-3	STND 8" COVER PLATE 304 SS	1



NOTES:

1. SEE STANDARD PREPARATION AND COATING INSTRUCTIONS FOR COATING PROCEDURE AND COLOR.
2. SEE STANDARD PACKAGING INSTRUCTIONS FOR PACKAGING PROCEDURE.



PEDESTALPRO.COM
1-800-660-3072

UNLESS OTHERWISE SPECIFIED:

DIMENSIONS ARE IN INCHES
TOLERANCES:
FRACTIONAL $\pm 1/32$
ANGULAR: $\pm 2^\circ$
TWO PLACE DECIMAL ± 0.010
THREE PLACE DECIMAL ± 0.005

INTERPRET GEOMETRIC
TOLERANCING PER:
ASME Y14.5 -2009

NAME	DATE
DRAWN	
CHECKED	

PROPRIETARY AND CONFIDENTIAL
THE INFORMATION CONTAINED IN THIS DRAWING IS THE SOLE PROPERTY OF PEDESTALPRO LLC. ANY REPRODUCTION IN PART OR AS A WHOLE WITHOUT THE WRITTEN PERMISSION OF PEDESTALPRO LLC IS PROHIBITED.

TITLE:
ASSEMBLY

Friday, August 7, 2020
9:49:53 AM

WEIGHT: 30.235

SIZE	PART NO.	REV
A	33PE1-DOOR-01-304	0
NO SCALE		SHEET 2 OF 3