

AIPHONE AX-DV

12.00

.70

48.00

5.00

Ø 1.81

3.59 TYP

2.88 TYP

.63 TYP

2.00

1.00 TYP

DETAIL A

NOTES:

1. MATERIAL OF CONSTRUCTION IS 304 SS, BRUSHED #4.

www.GooseneckStands.com

(888) 378 - 1045

Sales@GooseneckStands.com

UNLESS OTHERWISE SPECIFIED:

DIMENSIONS ARE IN INCHES  
 TOLERANCES:  
 FRACTIONAL ± 1/32  
 ANGULAR: ± 2°  
 TWO PLACE DECIMAL ± 0.010  
 THREE PLACE DECIMAL ± 0.005

INTERPRET GEOMETRIC  
 TOLERANCING PER:  
 ASME Y14.5 -2009

NAME DATE

DRAWN  
 CHECKED

**PROPRIETARY AND CONFIDENTIAL**  
 THE INFORMATION CONTAINED IN THIS  
 DRAWING IS THE SOLE PROPERTY OF  
 PEDESTALPRO LLC. ANY REPRODUCTION  
 IN PART OR AS A WHOLE WITHOUT THE  
 WRITTEN PERMISSION OF PEDESTALPRO LLC  
 IS PROHIBITED.

TITLE:

INSTALLATION

Wednesday, October  
 16, 2024 10:36:49 AM

WEIGHT: 18.761

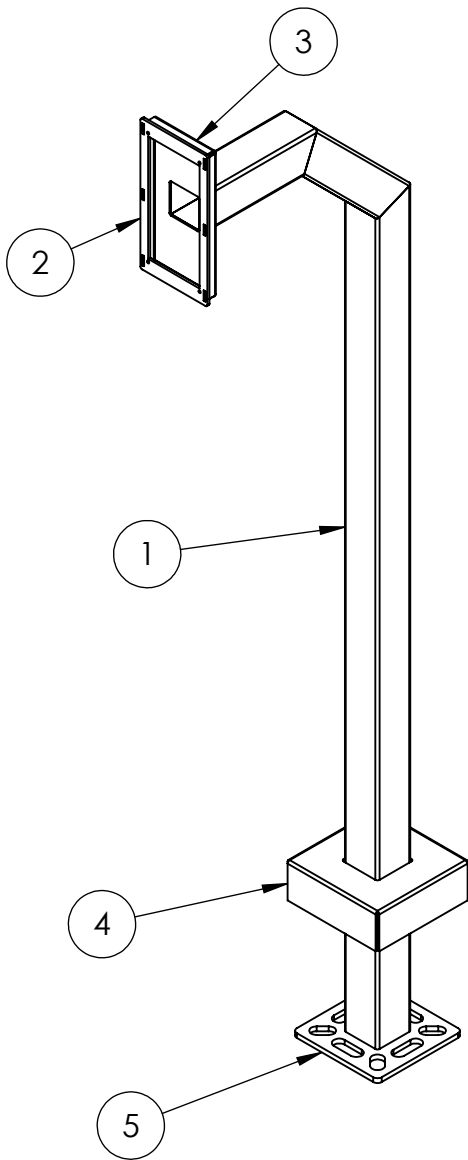
SIZE  
**A**

PART NO.  
 22PE1-AIPH-01-304

REV  
**A**

NO SCALE

SHEET 1 OF 6



ITEM NO.	PART NUMBER	DESCRIPTION	QTY.
1	22PE1-AIPH-01-304	TOWER WELDMENT	1
2	AX-DV FACE PLATE	FACE PLATE	1
3	AX-DV BACK PLATE	BACK PLATE	1
4	PLTCOV-5-2	COVER PLATE	1
5	PLTBAS-5-2	BASE PLATE	1

NOTES:

- SEE STANDARD PREPARATION AND COATING INSTRUCTIONS FOR COATING PROCEDURE AND COLOR.
- SEE STANDARD PACKAGING INSTRUCTIONS FOR PACKAGING PROCEDURE.

<a href="http://www.GooseneckStands.com">www.GooseneckStands.com</a> (888) 378 - 1045 <a href="mailto:Sales@GooseneckStands.com">Sales@GooseneckStands.com</a>	UNLESS OTHERWISE SPECIFIED:  DIMENSIONS ARE IN INCHES TOLERANCES: FRACTIONAL $\pm 1/32$ ANGULAR: $\pm 2^\circ$ TWO PLACE DECIMAL $\pm 0.010$ THREE PLACE DECIMAL $\pm 0.005$	NAME  DATE	TITLE:  <b>ASSEMBLY</b>
	INTERPRET GEOMETRIC TOLERANCING PER: ASME Y14.5 -2009	DRAWN  CHECKED  <b>PROPRIETARY AND CONFIDENTIAL</b> THE INFORMATION CONTAINED IN THIS DRAWING IS THE SOLE PROPERTY OF PEDESTALPRO LLC. ANY REPRODUCTION IN PART OR AS A WHOLE WITHOUT THE WRITTEN PERMISSION OF PEDESTALPRO LLC IS PROHIBITED.	Wednesday, October 16, 2024 10:36:49 AM  WEIGHT: 18.761