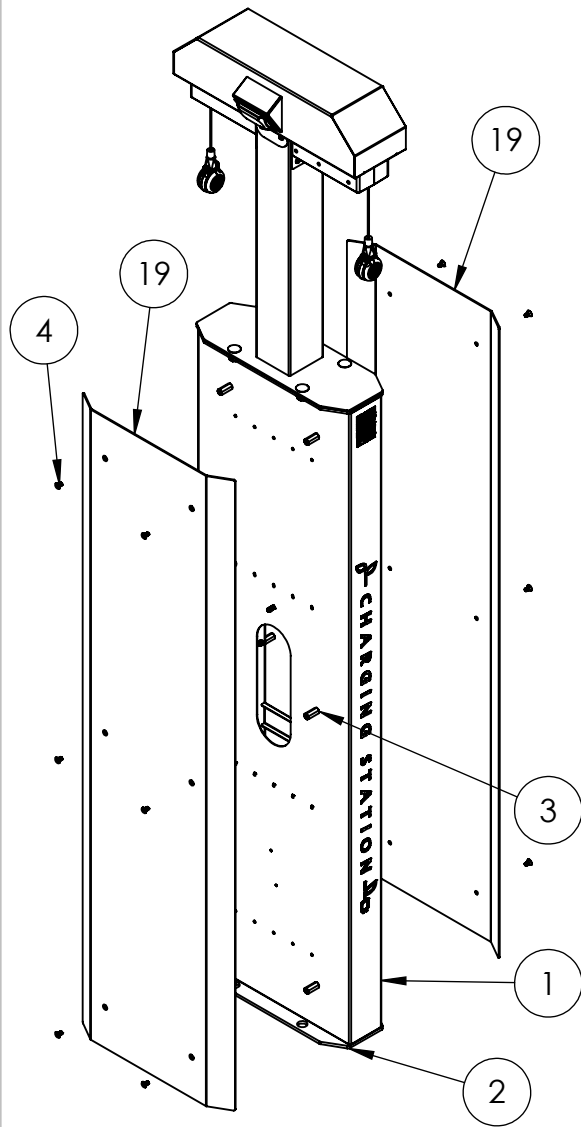


- NOTES:
1. MATERIAL OF CONSTRUCTION IS MILD STEEL.
 2. 2-4 MILS SKY WHITE II POWDER COAT.
1. PWDR-WHITE-SKY

www.GooseneckStands.com (888) 378 - 1045 Sales@GooseneckStands.com	UNLESS OTHERWISE SPECIFIED:	NAME	DATE	TITLE:			
	DIMENSIONS ARE IN INCHES TOLERANCES: FRACTIONAL $\pm 1/32$ ANGULAR: $\pm 2^\circ$ TWO PLACE DECIMAL ± 0.010 THREE PLACE DECIMAL ± 0.005	DRAWN			INSTALLATION		
INTERPRET GEOMETRIC TOLERANCING PER: ASME Y14.5 -2009	CHECKED			Thursday, November 7, 2024 11:50:42 AM		SIZE A	PART NO. 186EVCS-02B
PROPRIETARY AND CONFIDENTIAL THE INFORMATION CONTAINED IN THIS DRAWING IS THE SOLE PROPERTY OF PEDESTALPRO LLC. ANY REPRODUCTION IN PART OR AS A WHOLE WITHOUT THE WRITTEN PERMISSION OF PEDESTALPRO LLC IS PROHIBITED.				WEIGHT: 209.247	NO SCALE	SHEET 1 OF 17	



ITEM NO.	PART NUMBER	DESCRIPTION	QTY.
1	186EVCS-02B BODY	CHARGE STATION MAIN BODY	1
2	156TOW-EVCS-01-CRS BASE	BASE PLATE	2
3	--	1/4-20 X 1.25 STANDOFF ZNC PLT STL	12
4	--	1/4-20 X .5 SS FLT HD SCREW	12
5	--	1/4-20 STAINLESS STEEL PRESS-FIT NUT	12
6	186EVCS-02B DECAL	3M SILVER REFLECTIVE VINYL	2
7	186EVCS-02B TOP-BOTTOM	CHARGE STATION MAIN BODY	2
8	186EVRX-01A BODY	4 X 4 X .120 MILD STEEL SQ TUBE	1
9	186EVRX-01A MOUNT	CABLE RETRACTOR MOUNT	1
10	186EVRX-01A BASE	BASE PLATE	1
11	--	1/2-13 X 1" SS SQUARE NECK CARRIAGE BOLT	4
12	--	1/2-13 SS SERRATED FLANGE NUT	4
13	186EVRX-01A RETRACTOR	CHARGING CABLE RETRACTOR	2
14	--	1/4-20 X 1/2" SS BUTTON HEAD HEX DRIVE SCREW	12
15	186EVRX-01A WHITE BRICK LIGHT	BLUE STOBE LED LIGHT	2
16	--	4-40 X .375" SS PH PAN HEAD SCREW	8
17	186EVRX-01A LIGHT MOUNT	SAFETY LIGHT MOUNT	2
18	186EVRX-01A MOUNT 2	CABLE RETRACTOR MOUNT	1
19	186EVCS-02B FACADE	CHAGE STATION FACADE	2
20	186EVCS-02B STRAP	STRUCTURAL STRAP	4
21	186EVCS-02B CHANNEL	STRUCTURAL CHANNEL	4
22	--	10-24 X .75" SS PEM STUD	20
23	--	10-24 KEPS NUT	20
24	--	6-32 X 3/8 SS PEM STUD	2
25	EL-12VPS-01	SAFETY LIGHTING POWER SUPPLY	1
26	--	5/16-18 X 3/4" SS PEM STUD	1
27	PPRO QR CODE		2

www.GooseneckStands.com (888) 378 - 1045 Sales@GooseneckStands.com	UNLESS OTHERWISE SPECIFIED: DIMENSIONS ARE IN INCHES TOLERANCES: FRACTIONAL $\pm 1/32$ ANGULAR: $\pm 2^\circ$ TWO PLACE DECIMAL ± 0.010 THREE PLACE DECIMAL ± 0.005	NAME _____ DATE _____ DRAWN _____ CHECKED _____	TITLE: <h1>ASSEMBLY</h1>
	INTERPRET GEOMETRIC TOLERANCING PER: ASME Y14.5 -2009	PROPRIETARY AND CONFIDENTIAL THE INFORMATION CONTAINED IN THIS DRAWING IS THE SOLE PROPERTY OF PEDESTALPRO LLC. ANY REPRODUCTION IN PART OR AS A WHOLE WITHOUT THE WRITTEN PERMISSION OF PEDESTALPRO LLC IS PROHIBITED.	Thursday, November 7, 2024 11:50:42 AM WEIGHT: 209.247