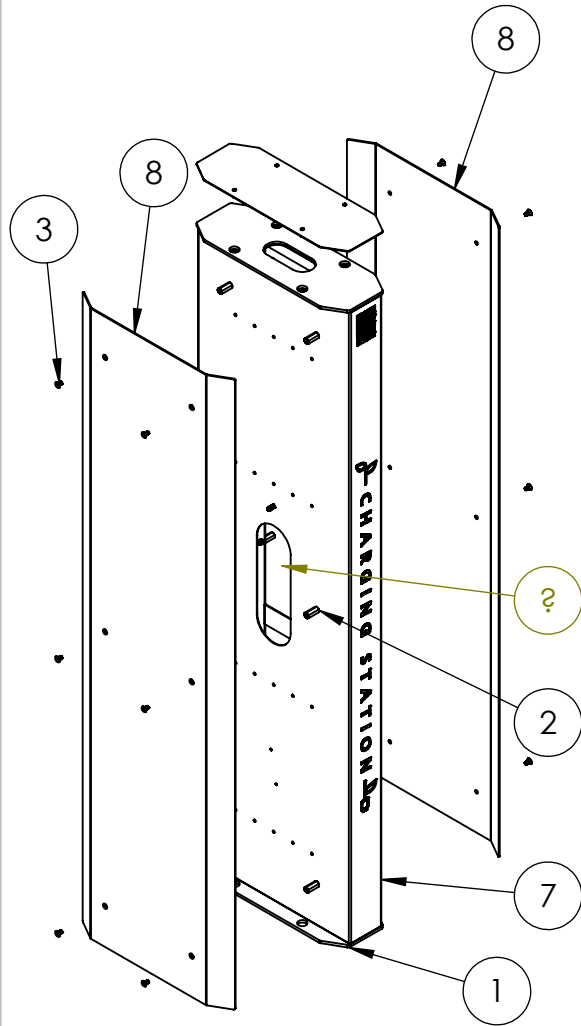


- NOTES:
1. MATERIAL OF CONSTRUCTION IS MILD STEEL.
 2. 2-4 MILS SKY WHITE II POWDER COAT.
 1. PWDR-WHITE-SKY

www.GooseneckStands.com (888) 378 - 1045 Sales@GooseneckStands.com	UNLESS OTHERWISE SPECIFIED: DIMENSIONS ARE IN INCHES TOLERANCES: FRACTIONAL $\pm 1/32$ ANGULAR: $\pm 2^\circ$ TWO PLACE DECIMAL ± 0.010 THREE PLACE DECIMAL ± 0.005	NAME DATE	TITLE:		
	INTERPRET GEOMETRIC TOLERANCING PER: ASME Y14.5 -2009	DRAWN CHECKED PROPRIETARY AND CONFIDENTIAL THE INFORMATION CONTAINED IN THIS DRAWING IS THE SOLE PROPERTY OF PEDESTALPRO LLC. ANY REPRODUCTION IN PART OR AS A WHOLE WITHOUT THE WRITTEN PERMISSION OF PEDESTALPRO LLC IS PROHIBITED.	Monday, October 28, 2024 3:04:51 PM WEIGHT: 139.843	INSTALLATION	SIZE A
			NO SCALE	REV A	
			SHEET 1 OF 11		



ITEM NO.	PART NUMBER	DESCRIPTION	QTY.
1	156TOW-EVCS-01-CRS BASE	BASE PLATE	2
2	--	1/4-20 X 1.25 STANDOFF ZNC PLT STL	12
3	--	1/4-20 X .5 SS FLT HD SCREW	12
4	--	1/4-20 STAINLESS STEEL PRESS-FIT NUT	12
5	186EVCS-01A DECAL	3M SILVER REFLECTIVE VINYL	2
6	186EVCS-01A TOP-BOTTOM	CHARGE STATION MAIN BODY	2
7	186EVCS-01A BODY	CHARGE STATION MAIN BODY	1
8	186EVCS-01A FACADE	CHARGE STATION FACADE	2
9	186EVCS-01A STRAP	STRUCTURAL STRAP	4
10	186EVCS-01A CHANNEL	STRUCTURAL CHANNEL	4
11	--	10-24 X .75" SS PEM STUD	20
12	--	10-24 KEPS NUT	20
13	--	6-32 X 3/8 SS PEM STUD	2
14	EL-12VPS-01	SAFETY LIGHTING POWER SUPPLY	1
15	--	5/16-18 X 3/4" SS PEM STUD	1
16	186EVCS-01A BLANK	CHARGE STATION BLANK CAP PLATE	1
17	93580A630	1/4-20 X .75 SS PRESS-FIT STUDS	4
18	91845A029	1/4-20 STAINLESS STEEL HEX NUT	4
19	92141A029	1/4 STAINLESS STEEL WASHER	4
20	PPRO QR CODE	PPRO QR CODE	2

www.GooseneckStands.com (888) 378 - 1045 Sales@GooseneckStands.com	UNLESS OTHERWISE SPECIFIED: DIMENSIONS ARE IN INCHES TOLERANCES: FRACTIONAL $\pm 1/32$ ANGULAR: $\pm 2^\circ$ TWO PLACE DECIMAL ± 0.010 THREE PLACE DECIMAL ± 0.005	NAME DATE	TITLE: <h1>ASSEMBLY</h1>	SIZE A	PART NO. 186EVCS-01A	REV A
	INTERPRET GEOMETRIC TOLERANCING PER: ASME Y14.5 -2009	PROPRIETARY AND CONFIDENTIAL THE INFORMATION CONTAINED IN THIS DRAWING IS THE SOLE PROPERTY OF PEDESTALPRO LLC. ANY REPRODUCTION IN PART OR AS A WHOLE WITHOUT THE WRITTEN PERMISSION OF PEDESTALPRO LLC IS PROHIBITED.	Monday, October 28, 2024 3:04:51 PM WEIGHT: 139.843	NO SCALE	SHEET 2 OF 11	