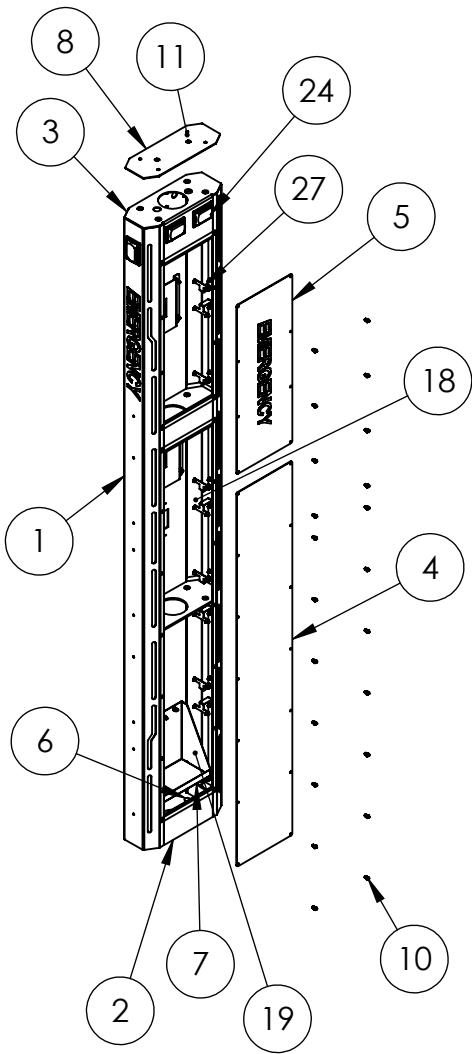


NOTES:

1. MATERIAL OF CONSTRUCTION IS ALUMINUM.
2. COATED IN 2-4 MILS OF GLOSS BLUE POWDER COATING.
3. INTERCOM, CAMERAS, ETC. TO BE PROVIDED BY CUSTOMER.
4. LIGHTING REQUIRES CONNECTION TO INTERCOM FOR ACTIVATION.

www.GooseneckStands.com (888) 378 - 1045 Sales@GooseneckStands.com	UNLESS OTHERWISE SPECIFIED:	NAME	DATE	TITLE:			
	DIMENSIONS ARE IN INCHES TOLERANCES: FRACTIONAL ± 1/32 ANGULAR: ± 2° TWO PLACE DECIMAL ± 0.010 THREE PLACE DECIMAL ± 0.005	DRAWN			INSTALLATION WEDNESDAY, MARCH 5, 2025 1:19:56 PM	SIZE	PART NO.
INTERPRET GEOMETRIC TOLERANCING PER: ASME Y14.5 -2009	CHECKED			A		156TOW-VERK-03-ALU	A
PROPRIETARY AND CONFIDENTIAL THE INFORMATION CONTAINED IN THIS DRAWING IS THE SOLE PROPERTY OF PEDESTALPRO LLC. ANY REPRODUCTION IN PART OR AS A WHOLE WITHOUT THE WRITTEN PERMISSION OF PEDESTALPRO LLC IS PROHIBITED.				WEIGHT: 76.094	NO SCALE	SHEET 1 OF 23	



ITEM NO.	PART NUMBER	DESCRIPTION	QTY.
1	156TOW-VERK-03-ALU BODY	ALUMINUM BODY	1
2	156TOW-VERK-03-ALU CLOSURE	CLOSURE PANEL	2
3	156TOW-VERK-03-ALU CAP	TOP CAP	1
4	156TOW-VERK-03-ALU ACCESS LOWER	ACCESS PANEL	1
5	156TOW-VERK-03-ALU ACCESS UPPER	ACCESS PANEL	1
6	156TOW-VERK-03-ALU BASE	BASE PLATE	1
7	156TOW-VERK-03-ALU STIFFENER	BASE STIFFENER	2
8	156TOW-VERK-03-ALU TOP CAP	BLANK CAP	1
9	156TOW-VERK-03-ALU RIB	INTERNAL BRACING PLATE	2
10	--	1/4-20 X 1/2" SS BH TAMP-RES TORX SCRW	22
11	--	1/4-20 X 1" SS PEM STUD	4
12	--	1/4-20 NYLON LOCK NUT	8
13	--	1/4-20 X 1" FLAT WASHER	4
14	--	4-40 X 1/2" SS PAN HD SCREW	24
15	--	DIN MOUNTING RAIL BOTTOM	1
16	--	DIN MOUNTING RAIL UPPER & MID	1
17	156TOW-VERK-03-ALU POLYCARB TOP	FROSTED POLYCARBONATE WINDOW	2
18	156TOW-VERK-03-ALU POLYCARB MID	FROSTED POLYCARBONATE WINDOW	2
19	156TOW-VERK-03-ALU POLYCARB BOTTOM	FROSTED POLYCARBONATE WINDOW	2
20	BLUE BRICK LIGHT	BLUE STROBE LED LIGHT	6
21	LARGE EMERGENCY DECAL	WHITE REFLECTIVE VINYL	1
22	MEDIUM EMERGENCY DECAL	WHITE REFLECTIVE VINYL	3
23	PUSH FOR HELP DECAL	WHITE REFLECTIVE VINYL	1
24	--	10-24 STAINLESS STEEL KEPS NUT	36
25	--	6-32 SS NYLON LOCK NUT	48
26	--	6-32 X 1/2" SS PEM STUD	48
27	BRA133-EMER-01-304	LIGHT BRACKET	12
28	--	10-24 X .75" SS PEM STUD	36
29	TOP-BOTTOM GASKET	SOFT NEOPRENE GASKET	4
30	LOWER SIDE GASKET	SOFT NEOPRENE GASKET	2
31	UPPER SIDE GASKET	SOFT NEOPRENE GASKET	2
33	VERKADA GC31-E BRACKET	GATEWAY BRACKET	1
34	GS PORTALAC PYL12V55TT BRACKET	BATTERY BRACKET	1
35	POE INJECTOR BRACKET	POE INJECTOR BRACKET	1
36	--	1/4-20 X 3/4" PEM STUD	4

www.GooseneckStands.com

(888) 378 - 1045

Sales@GooseneckStands.com

UNLESS OTHERWISE SPECIFIED:

DIMENSIONS ARE IN INCHES
 TOLERANCES:
 FRACTIONAL ± 1/32
 ANGULAR: ± 2°
 TWO PLACE DECIMAL ± 0.010
 THREE PLACE DECIMAL ± 0.005

INTERPRET GEOMETRIC
 TOLERANCING PER:
 ASME Y14.5 -2009

NAME	DATE
DRAWN	
CHECKED	

PROPRIETARY AND CONFIDENTIAL
 THE INFORMATION CONTAINED IN THIS
 DRAWING IS THE SOLE PROPERTY OF
 PEDESTALPRO LLC. ANY REPRODUCTION
 IN PART OR AS A WHOLE WITHOUT THE
 WRITTEN PERMISSION OF PEDESTALPRO LLC
 IS PROHIBITED.

TITLE:
ASSEMBLY

WEDNESDAY, MARCH
 5, 2025 1:19:56 PM

WEIGHT: 76.094

SIZE	PART NO.
A	156TOW-VERK-03-ALU

REV
A

NO SCALE

SHEET 2 OF 23