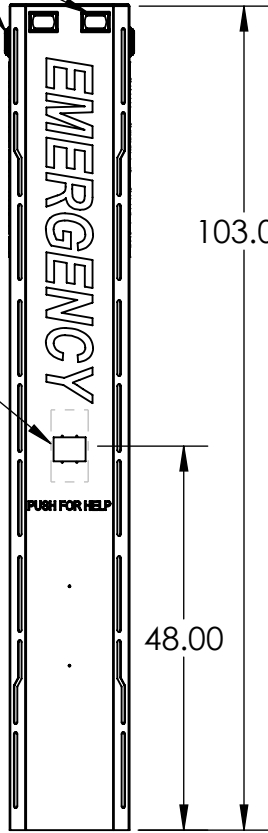


(6X) BLUE STROBE

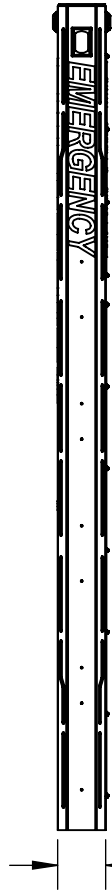
VERKADA TD53



103.00

48.00

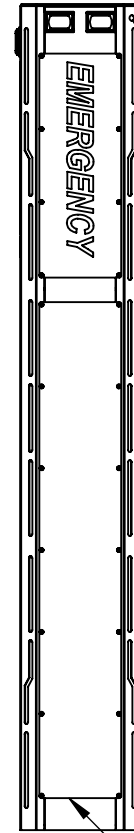
PUSH FOR HELP



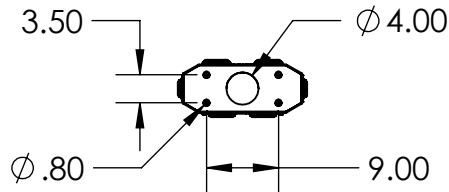
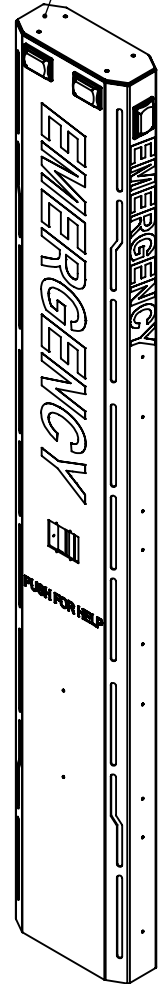
6.00

REMOVABLE TOP/ACCESSORY MOUNTING

PHOTOCELL SENSOR



ACCESS PANEL



NOTES:

1. MATERIAL OF CONSTRUCTION IS ALUMINUM.
2. COATED IN 2-4 MILS OF GLOSS BLUE POWDER COATING.
3. INTERCOM, CAMERAS, ETC. TO BE PROVIDED BY CUSTOMER.
4. LIGHTING REQUIRES CONNECTION TO INTERCOM FOR ACTIVATION.

www.GooseneckStands.com

(888) 378 - 1045

Sales@GooseneckStands.com

UNLESS OTHERWISE SPECIFIED:

DIMENSIONS ARE IN INCHES
TOLERANCES:
FRACTIONAL $\pm 1/32$
ANGULAR: $\pm 2^\circ$
TWO PLACE DECIMAL ± 0.010
THREE PLACE DECIMAL ± 0.005

INTERPRET GEOMETRIC TOLERANCING PER: ASME Y14.5 -2009

NAME DATE

DRAWN

CHECKED

PROPRIETARY AND CONFIDENTIAL

THE INFORMATION CONTAINED IN THIS DRAWING IS THE SOLE PROPERTY OF PEDESTALPRO LLC. ANY REPRODUCTION IN PART OR AS A WHOLE WITHOUT THE WRITTEN PERMISSION OF PEDESTALPRO LLC IS PROHIBITED.

TITLE:

INSTALLATION

THURSDAY, DECEMBER 12, 2024 10:54:11 AM

WEIGHT: 67.866

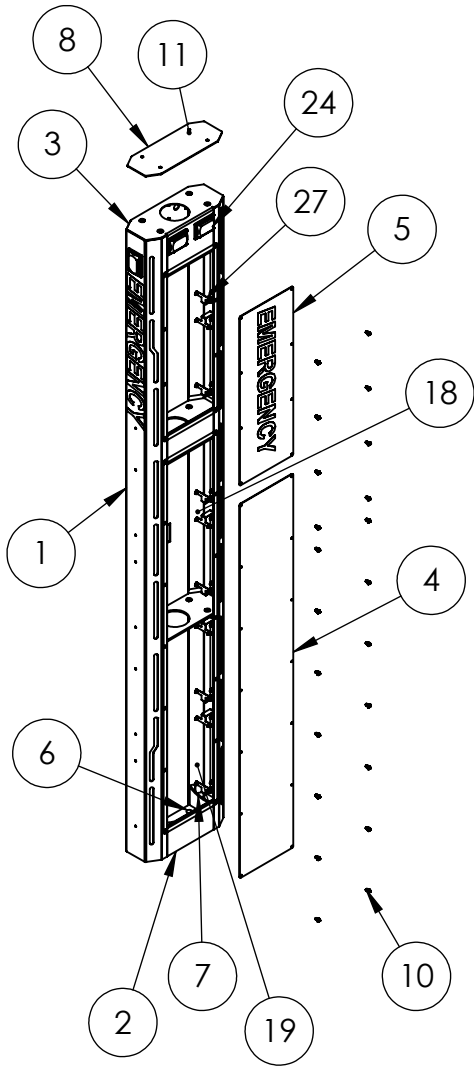
SIZE
A

PART NO.
156TOW-VERK-02-ALU

REV
A

NO SCALE

SHEET 1 OF 20



ITEM NO.	PART NUMBER	DESCRIPTION	QTY.
1	156TOW-VERK-02-ALU BODY	ALUMINUM BODY	1
2	156TOW-VERK-02-ALU CLOSURE	CLOSURE PANEL	2
3	156TOW-VERK-02-ALU CAP	TOP CAP	1
4	156TOW-VERK-02-ALU ACCESS LOWER	ACCESS PANEL	1
5	156TOW-VERK-02-ALU ACCESS UPPER	ACCESS PANEL	1
6	156TOW-VERK-02-ALU BASE	BASE PLATE	1
7	156TOW-VERK-02-ALU STIFFENER	BASE STIFFENER	2
8	156TOW-VERK-02-ALU TOP CAP	BLANK CAP	1
9	156TOW-VERK-02-ALU RIB	INTERNAL BRACING PLATE	2
10	--	1/4-20 X 1/2 SS PAN HD SCREW	22
11	--	1/4-20 X 1" SS PEM STUD	4
12	--	1/4-20 NYLON LOCK NUT	4
13	--	1/4-20 X 1" FLAT WASHER	4
14	--	4-40 X 1/2" SS PAN HD SCREW	24
15	--	DIN MOUNTING RAIL BOTTOM	1
16	--	DIN MOUNTING RAIL UPPER & MID	2
17	156TOW-VERK-02-ALU POLYCARB TOP	FROSTED POLYCARBONATE WINDOW	2
18	156TOW-VERK-02-ALU POLYCARB MID	FROSTED POLYCARBONATE WINDOW	2
19	156TOW-VERK-02-ALU POLYCARB BOTTOM	FROSTED POLYCARBONATE WINDOW	2
20	BLUE BRICK LIGHT	BLUE STOBE LED LIGHT	6
21	LARGE EMERGENCY DECAL	WHITE REFLECTIVE VINYL	1
22	MEDIUM EMERGENCY DECAL	WHITE REFLECTIVE VINYL	3
23	PUSH FOR HELP DECAL	WHITE REFLECTIVE VINYL	1
24	--	10-24 STAINLESS STEEL KEPS NUT	30
25	--	6-32 SS NYLON LOCK NUT	48
26	--	6-32 X 1/2" SS PEM STUD	48
27	BRA133-EMER-01-304	LIGHT BRACKET	12
28	--	10-24 X .75" SS PEM STUD	30
29	TOP-BOTTOM GASKET	SOFT NEOPRENE GASKET	4
30	LOWER SIDE GASKET	SOFT NEOPRENE GASKET	2
31	UPPER SIDE GASKET	SOFT NEOPRENE GASKET	2

www.GooseneckStands.com (888) 378 - 1045 Sales@GooseneckStands.com	UNLESS OTHERWISE SPECIFIED: DIMENSIONS ARE IN INCHES TOLERANCES: FRACTIONAL ± 1/32 ANGULAR: ± 2° TWO PLACE DECIMAL ± 0.010 THREE PLACE DECIMAL ± 0.005	DRAWN CHECKED PROPRIETARY AND CONFIDENTIAL THE INFORMATION CONTAINED IN THIS DRAWING IS THE SOLE PROPERTY OF PEDESTALPRO LLC. ANY REPRODUCTION IN PART OR AS A WHOLE WITHOUT THE WRITTEN PERMISSION OF PEDESTALPRO LLC IS PROHIBITED.	NAME DATE	TITLE: ASSEMBLY THURSDAY, DECEMBER 12, 2024 10:54:11 AM WEIGHT: 67.866	SIZE A	PART NO. 156TOW-VERK-02-ALU	REV A
	INTERPRET GEOMETRIC TOLERANCING PER: ASME Y14.5 -2009	NO SCALE	SHEET 2 OF 20				