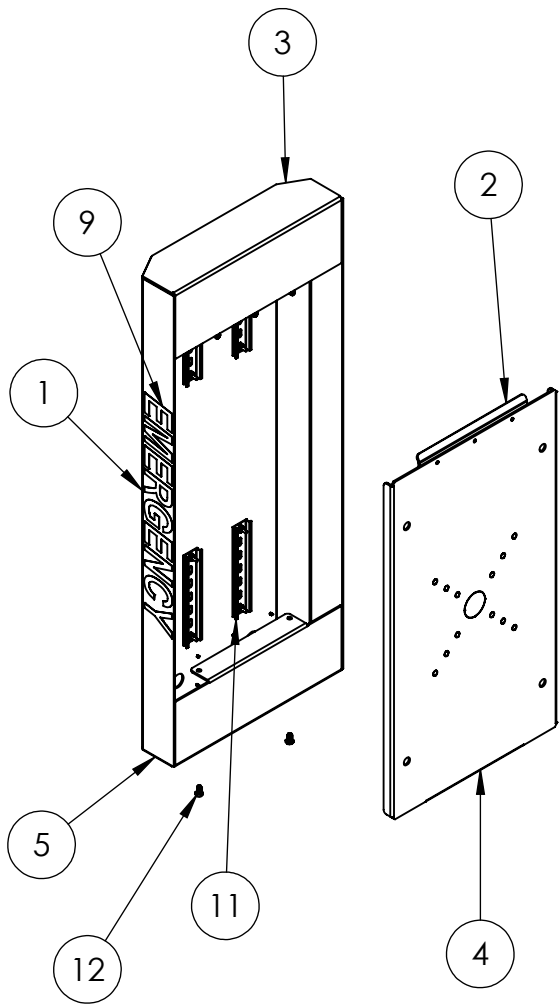


NOTES:

1. MATERIAL OF CONSTRUCTION IS ALUMINUM.
2. COATED IN 2-4 MILS OF GLOSS BLUE POWDER COATING.
3. INTERCOM, CAMERAS, ETC. TO BE PROVIDED BY CUSTOMER.
4. LIGHTING REQUIRES CONNECTION TO INTERCOM FOR ACTIVATION.

www.GooseneckStands.com (888) 378 - 1045 Sales@GooseneckStands.com	UNLESS OTHERWISE SPECIFIED:	NAME	DATE	TITLE:			
	DIMENSIONS ARE IN INCHES TOLERANCES: FRACTIONAL \pm 1/32 ANGULAR: \pm 2° TWO PLACE DECIMAL \pm 0.010 THREE PLACE DECIMAL \pm 0.005	DRAWN			INSTALLATION	SIZE	PART NO.
INTERPRET GEOMETRIC TOLERANCING PER: ASME Y14.5 -2009	CHECKED			THURSDAY, FEBRUARY 13, 2025 12:53:59 PM		A	156STA-EMER-02-ALU
PROPRIETARY AND CONFIDENTIAL THE INFORMATION CONTAINED IN THIS DRAWING IS THE SOLE PROPERTY OF PEDESTALPRO LLC. ANY REPRODUCTION IN PART OR AS A WHOLE WITHOUT THE WRITTEN PERMISSION OF PEDESTALPRO LLC IS PROHIBITED.				WEIGHT: 18.372	NO SCALE	SHEET 1 OF 12	



ITEM NO.	PART NUMBER	DESCRIPTION	QTY.
1	156STA-EMER-02-ALU BODY	BODY	1
2	156STA-EMER-02-ALU HOOK	WALL BRACKET HOOK	1
3	156STA-EMER-02-ALU CAP	TOP CAP	1
4	156STA-EMER-02-ALU MOUNT	WALL MOUNTING BRACKET	1
5	156STA-EMER-02-ALU BOTTOM	BOTTOM CAP	1
6	BRICK LIGHT	BLUE STROBE LED LIGHT	4
7	SMALL EMERGENCY DECAL	WHITE REFLECTIVE VINYL	1
8	PUSH FOR HELP DECAL	WHITE REFLECTIVE VINYL	1
9	STATION EMERGENCY DECAL	WHITE REFLECTIVE VINYL	2
10	--	4-40 X 1/2 SS PAN HD SCREWS	16
11	--	DIN MOUNTING RAIL	4
12	--	1/4-20 X 1/2" HHCS	2
13	--	10-24 X .75" SS PEM STUD	8
14	--	10-24 STAINLESS STEEL KEPS NUT	8
15	--	8-32 X 1/2 SS PEM STUD	3
16	--	8-32 SS NYLON LOCK NUT	3

NOTES:

- SEE STANDARD PREPARATION AND COATING INSTRUCTIONS FOR COATING PROCEDURE AND COLOR.
- SEE STANDARD PACKAGING INSTRUCTIONS FOR PACKAGING PROCEDURE.

www.GooseneckStands.com (888) 378 - 1045 Sales@GooseneckStands.com	UNLESS OTHERWISE SPECIFIED:	NAME	DATE	TITLE:		
	DIMENSIONS ARE IN INCHES TOLERANCES: FRACTIONAL $\pm 1/32$ ANGULAR: $\pm 2^\circ$ TWO PLACE DECIMAL ± 0.010 THREE PLACE DECIMAL ± 0.005	DRAWN			ASSEMBLY	
	CHECKED			THURSDAY, FEBRUARY 13, 2025 12:53:59 PM		SIZE A
	PROPRIETARY AND CONFIDENTIAL THE INFORMATION CONTAINED IN THIS DRAWING IS THE SOLE PROPERTY OF PEDESTALPRO LLC. ANY REPRODUCTION IN PART OR AS A WHOLE WITHOUT THE WRITTEN PERMISSION OF PEDESTALPRO LLC IS PROHIBITED.			WEIGHT: 18.372	NO SCALE	REV A
						SHEET 2 OF 12