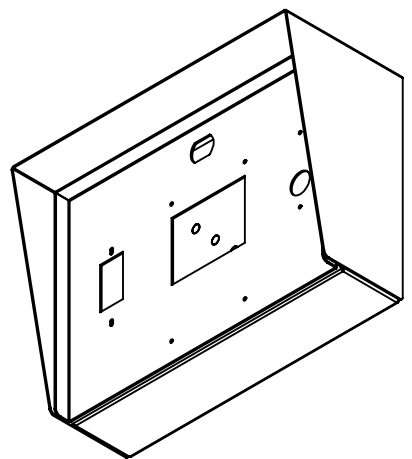


- CHERRY TAMPER SWITCH E68
- OLYMPUS SFIC LOCK 720B-DM
- KNOX KEY SWITCH 3517
- ZENTIEL TCIV 3+
- WAVELYNX ET20-6-CEBM1-LK10094



- NOTES:
1. MATERIAL OF CONSTRUCTION IS MILD STEEL.
  2. 2-4 MILS BLACK WRINKLE POWDER COAT.

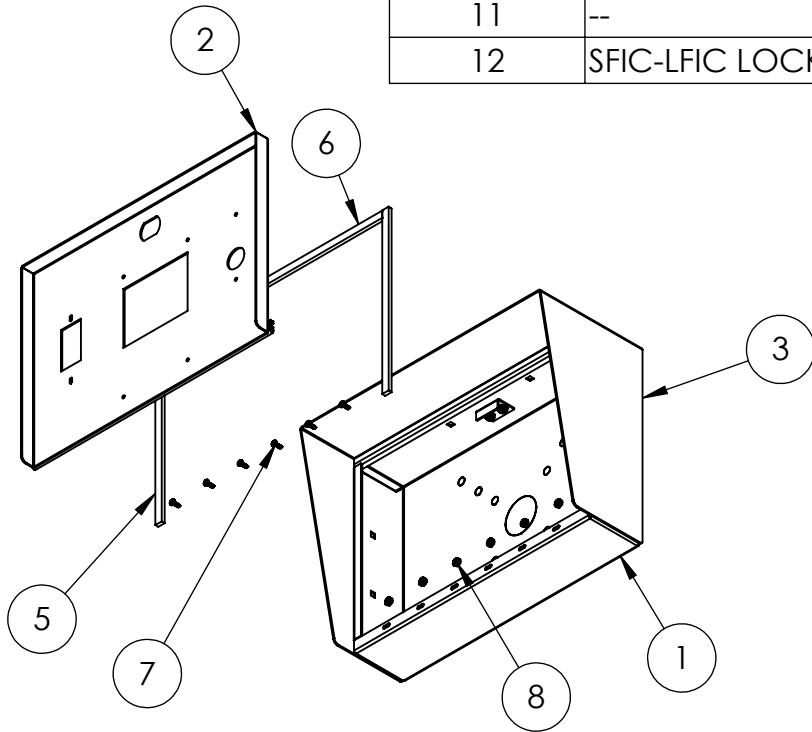
www.GooseneckStands.com  
 (888) 378 - 1045  
 Sales@GooseneckStands.com

UNLESS OTHERWISE SPECIFIED:  
 DIMENSIONS ARE IN INCHES  
 TOLERANCES:  
 FRACTIONAL ± 1/32  
 ANGULAR: ± 2°  
 TWO PLACE DECIMAL ± 0.010  
 THREE PLACE DECIMAL ± 0.005  
 INTERPRET GEOMETRIC TOLERANCING PER: ASME Y14.5 -2009

NAME	DATE
DRAWN	
CHECKED	
<b>PROPRIETARY AND CONFIDENTIAL</b>	
THE INFORMATION CONTAINED IN THIS DRAWING IS THE SOLE PROPERTY OF PEDESTALPRO LLC. ANY REPRODUCTION IN PART OR AS A WHOLE WITHOUT THE WRITTEN PERMISSION OF PEDESTALPRO LLC IS PROHIBITED.	

TITLE: <b>INSTALLATION</b>		DATE: Monday, January 27, 2025 12:14:01 PM	WEIGHT: 13.495	SIZE <b>A</b>	PART NO. 1410HOU-EBMU-01-CRS	NO SCALE	REV <b>B</b>	SHEET 1 OF 8
-------------------------------	--	--	-------------------	------------------	---------------------------------	----------	-----------------	--------------

ITEM NO.	PART NUMBER	DESCRIPTION	QTY.
1	1410HOU-EBMU-01-CRS ENCLOSURE	ENCLOSURE WELDMENT	1
2	1410HOU-EBMU-01-CRS DOOR	DOOR WELDMENT	1
3	1410HOU-EBMU-01-CRS HOOD	HOOD	1
4	HINGE	PIANO HINGE	1
5	GASKET SIDE	3/8" X .150 WEATHERSTRIPPING	2
6	GASKET TOP	3/8" X .150 WEATHERSTRIPPING	1
7	--	6-32 PAN HEAD SCREW	6
8	--	6-32 EXTERNAL TOOTH LOCK NUT	6
9	TAMPER SWITCH BRACKET	SWITCH BRACKET	1
10	--	8-32 X .375" SS PEM STUD	4
11	--	8-32 KEPS NUT	4
12	SFIC-LFIC LOCK BRACKET	LOCK BRACKET	1



NOTES:

- SEE STANDARD PREPARATION AND COATING INSTRUCTIONS FOR COATING PROCEDURE AND COLOR.
- SEE STANDARD PACKAGING INSTRUCTIONS FOR PACKAGING PROCEDURE.

www.GooseneckStands.com

(888) 378 - 1045

Sales@GooseneckStands.com

UNLESS OTHERWISE SPECIFIED:

DIMENSIONS ARE IN INCHES  
TOLERANCES:  
FRACTIONAL  $\pm 1/32$   
ANGULAR:  $\pm 2^\circ$   
TWO PLACE DECIMAL  $\pm 0.010$   
THREE PLACE DECIMAL  $\pm 0.005$

INTERPRET GEOMETRIC  
TOLERANCING PER:  
ASME Y14.5 -2009

NAME DATE

DRAWN

CHECKED

**PROPRIETARY AND CONFIDENTIAL**

THE INFORMATION CONTAINED IN THIS  
DRAWING IS THE SOLE PROPERTY OF  
PEDESTALPRO LLC. ANY REPRODUCTION  
IN PART OR AS A WHOLE WITHOUT THE  
WRITTEN PERMISSION OF PEDESTALPRO LLC  
IS PROHIBITED.

TITLE:

**ASSEMBLY**

Monday, January 27, 2025  
12:14:01 PM

WEIGHT: 13.495

SIZE  
**A**

PART NO.  
1410HOU-EBMU-01-CRS

REV  
**B**

NO SCALE

SHEET 2 OF 8