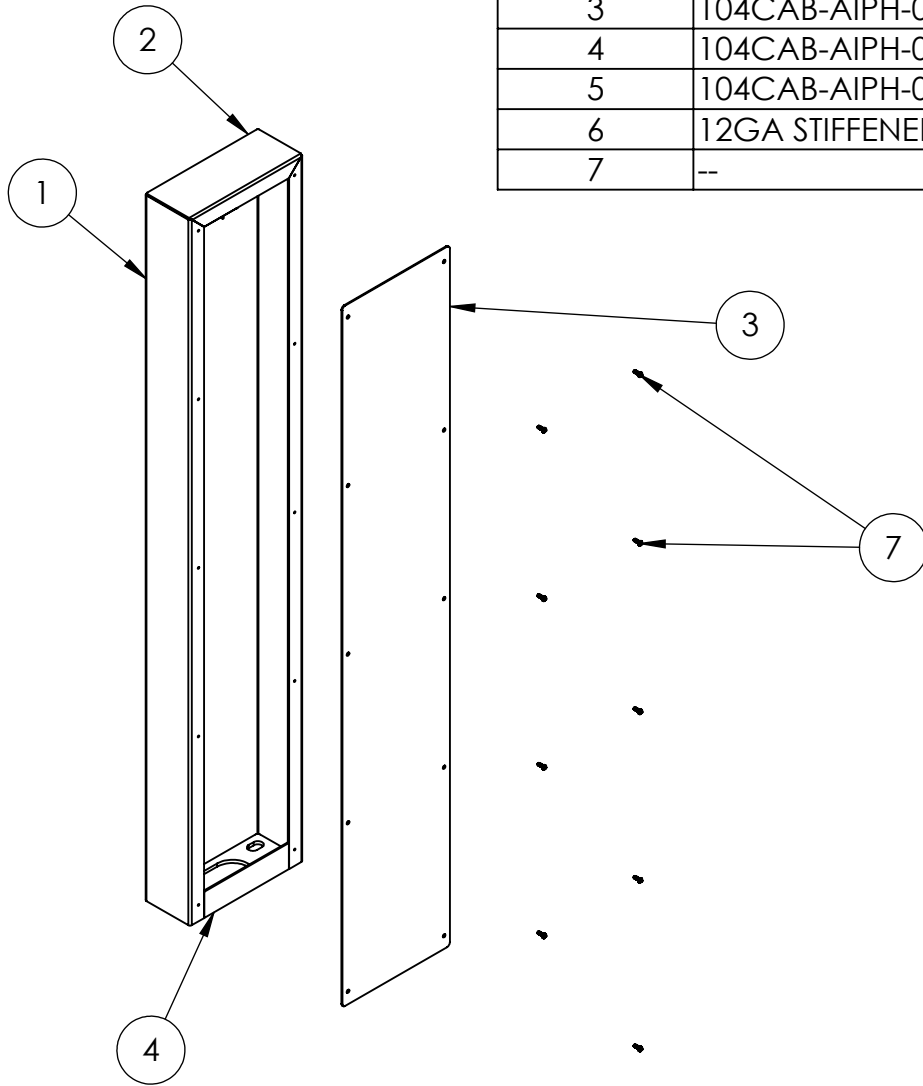


NOTES:
 1. MATERIAL OF CONSTRUCTION IS 304 SS, BRUSHED #4.

| | | | | | | | |
|--|---|---|--------------------------------------|-------------------------------|------------------|--------------------------------|-----------------|
| www.GooseneckStands.com (888) 378 - 1045 Sales@GooseneckStands.com | UNLESS OTHERWISE SPECIFIED: DIMENSIONS ARE IN INCHES TOLERANCES: FRACTIONAL $\pm 1/32$ ANGULAR: $\pm 2^\circ$ TWO PLACE DECIMAL ± 0.010 THREE PLACE DECIMAL ± 0.005 | DRAWN CHECKED | NAME DATE | TITLE: INSTALLATION | SIZE A | PART NO. 104CAB-AIPH-02-304 | REV A |
| | INTERPRET GEOMETRIC TOLERANCING PER: ASME Y14.5 -2009 | PROPRIETARY AND CONFIDENTIAL THE INFORMATION CONTAINED IN THIS DRAWING IS THE SOLE PROPERTY OF PEDESTALPRO LLC. ANY REPRODUCTION IN PART OR AS A WHOLE WITHOUT THE WRITTEN PERMISSION OF PEDESTALPRO LLC IS PROHIBITED. | Friday, July 26, 2024 11:00:15 AM | WEIGHT: 57.201 | NO SCALE | SHEET 1 OF 9 | |

| ITEM NO. | PART NUMBER | DESCRIPTION | QTY. |
|----------|---------------------------------|-------------------------------|------|
| 1 | 104CAB-AIPH-02-304 MAIN BODY | MAIN BODY | 1 |
| 2 | 104CAB-AIPH-02-304 TOP | TOP | 1 |
| 3 | 104CAB-AIPH-02-304 ACCESS PANEL | ACCESS PANEL | 1 |
| 4 | 104CAB-AIPH-02-304 BACK CLOSURE | BACK CLOSURE | 1 |
| 5 | 104CAB-AIPH-02-304 BASE PLATE | BASE PLATE | 1 |
| 6 | 12GA STIFFENER | STIFFENER | 1 |
| 7 | -- | 8-32 X 1/2" SS PAN HEAD SCREW | 10 |



NOTES:

- SEE STANDARD PREPARATION AND COATING INSTRUCTIONS FOR COATING PROCEDURE AND COLOR.
- SEE STANDARD PACKAGING INSTRUCTIONS FOR PACKAGING PROCEDURE.

| | | | | | | | |
|---|---|-------|------|--------------------------------------|-----------------|--------------|--------------------|
| www.GooseneckStands.com (888) 378 - 1045 Sales@GooseneckStands.com | UNLESS OTHERWISE SPECIFIED: | NAME | DATE | TITLE: | | | |
| | DIMENSIONS ARE IN INCHES TOLERANCES: FRACTIONAL ± 1/32 ANGULAR: ± 2° TWO PLACE DECIMAL ± 0.010 THREE PLACE DECIMAL ± 0.005 | DRAWN | | | ASSEMBLY | SIZE | PART NO. |
| INTERPRET GEOMETRIC TOLERANCING PER: ASME Y14.5 -2009 | CHECKED | | | Friday, July 26, 2024 11:00:15 AM | | A | 104CAB-AIPH-02-304 |
| PROPRIETARY AND CONFIDENTIAL THE INFORMATION CONTAINED IN THIS DRAWING IS THE SOLE PROPERTY OF PEDESTALPRO LLC. ANY REPRODUCTION IN PART OR AS A WHOLE WITHOUT THE WRITTEN PERMISSION OF PEDESTALPRO LLC IS PROHIBITED. | | | | WEIGHT: 57.201 | NO SCALE | SHEET 2 OF 9 | |