

# Pedestal Installation Overview

A Short overview of the various pedestal installations

www.GooseneckStands.com

sales@GooseneckStands.com

(800) 878-7829

[mm]  
in

**Installation:**

1. Drill hole in dry concrete
2. Insert anchor bolt
3. Place pedestal
4. Place Washers, thread nuts
5. Tighten Nuts

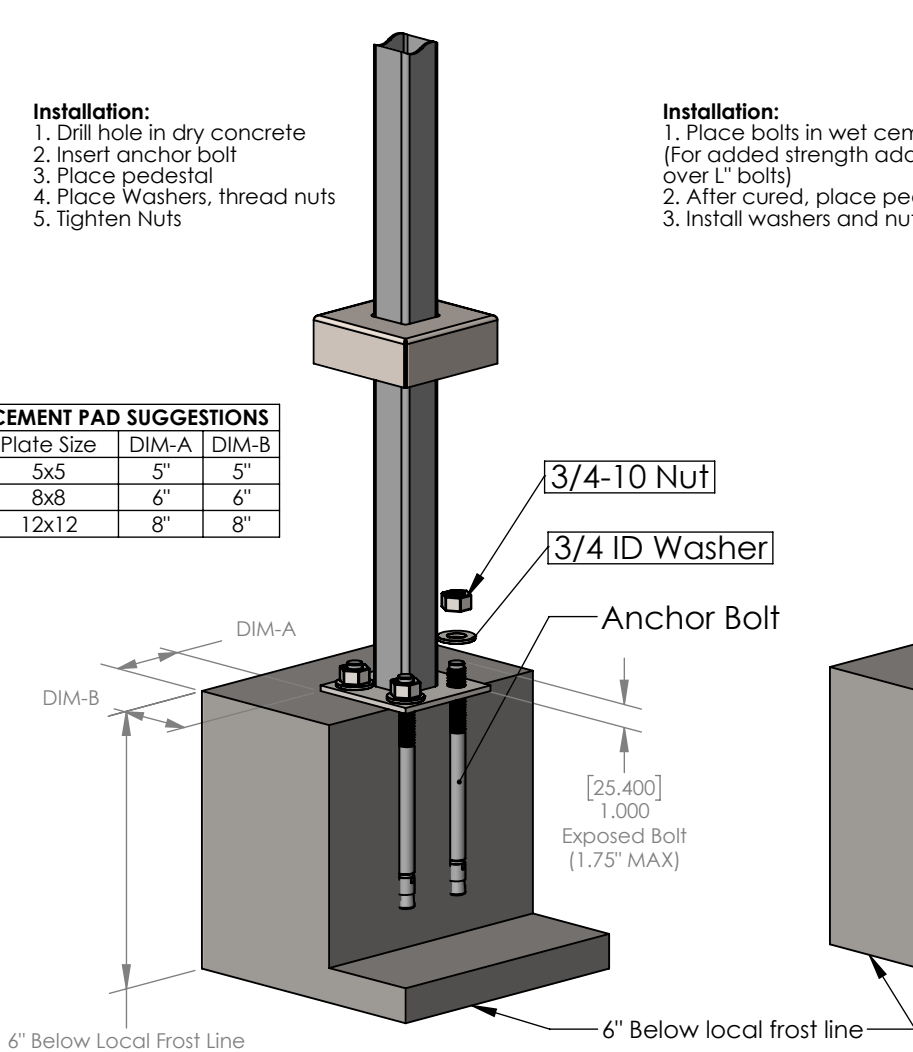
**Installation:**

1. Place bolts in wet cement  
(For added strength add rebar over L" bolts)
2. After cured, place pedestal
3. Install washers and nuts

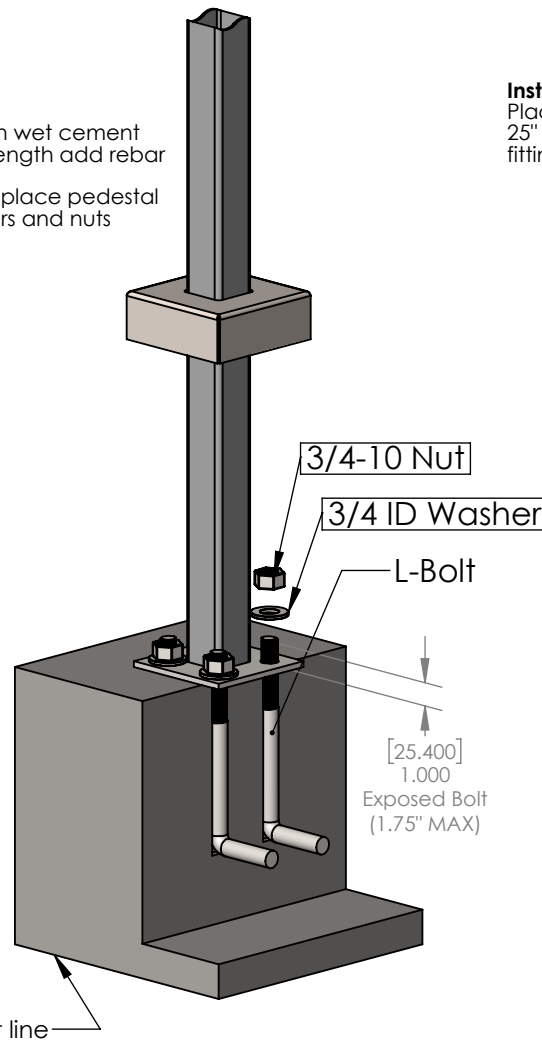
**Installation:**

- Place pedestal in wet cement  
25" Suggested. Make sure to connect 1/2" NPTF Conduit fitting if it is to be used.

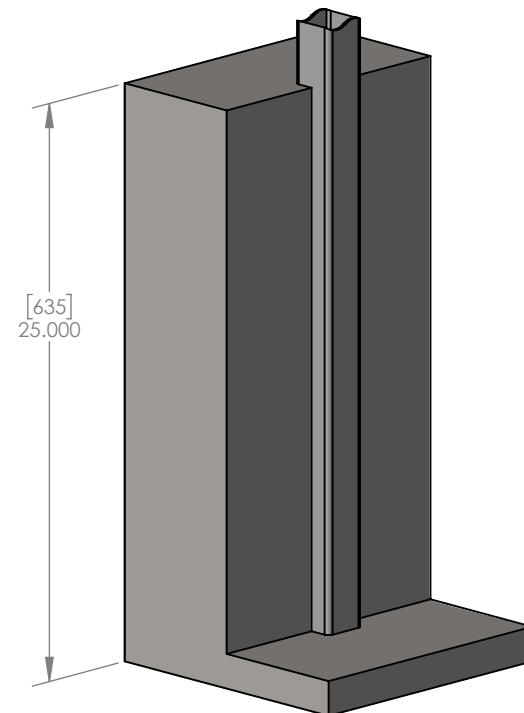
CEMENT PAD SUGGESTIONS		
Plate Size	DIM-A	DIM-B
5x5	5"	5"
8x8	6"	6"
12x12	8"	8"



**STUD-ANCHOR-KIT Installation**  
Best for existing concrete



**L-BOLT-KIT Installation**  
Best for new cement



**IN-GROUND Installation**