

PORTRA-CS-8X14-45E CORNER HOUSING



PRO Features:

- 1) 3.00" Deep Back Box
- 2) 3.50" Deep Hood (Overhang)
- 3) Stainless Steel Hinge
- 4) Removable Door
- 5) EPDM Rubber Seals
- 6) Rated NEMA 4x
- 7) 14 gauge (.074") Carbon Steel
- 8) Phosphatized & Finished with Outdoor TGIC Polyester Powder Coat
- 9) Corner Housing Design
- 10) Fully Assembled—Includes Cam Lock & 2 Keys

Description:

Made from heavy duty 14-gauge steel, this non-proprietary, outdoor-rated, corner housing gives security installers the flexibility to mount and protect one or more access control devices on a single pedestal head or wall.

This secure card reader housing is specifically designed for security professionals and incorporate features such as an EPDM rubber seal, stainless steel hinge, sufficient backbox space, a privacy/weather shroud, convenient knockouts, and a polyester powder coat finish with UV inhibitor. Custom cutouts on the door panels to match your devices can be requested - additional costs and lead times may apply.

These are most often used at pedestrian or vehicular access points in parking facilities or gated entries. Works with all kinds of card readers, intercoms, cameras, keypads, and other access control devices.

Details

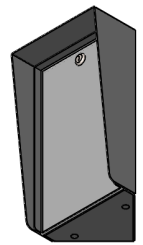
Model #	Width	Height	Weight
Portra-CS-8x14-45E	8"	14"	18 lbs.

Custom "RAL" colors*



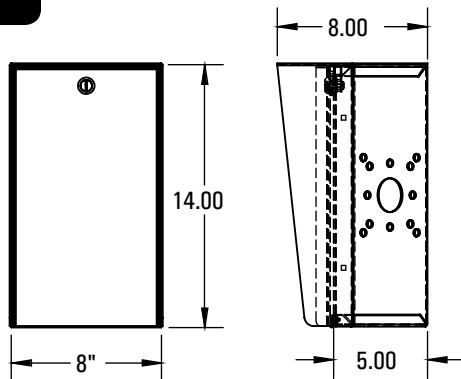
Custom heights, widths, and cutouts available to meet your needs*

*additional costs and lead times may apply



Dimensions

Custom cutouts on door panel available



Mounting Guides

