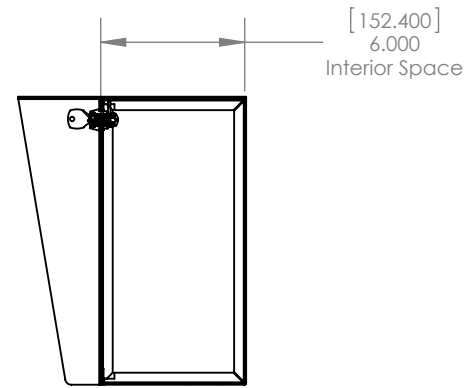
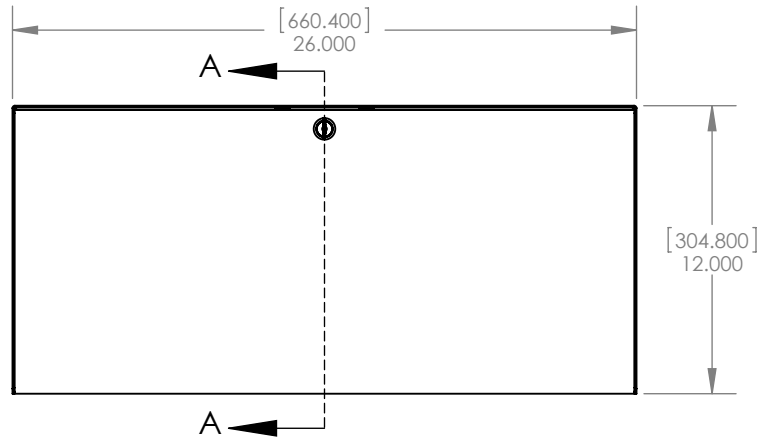


LANDO-SS-26x12-E-6B

Phone: (800) 878-7829

www.gooseneckstands.com



SECTION A-A

