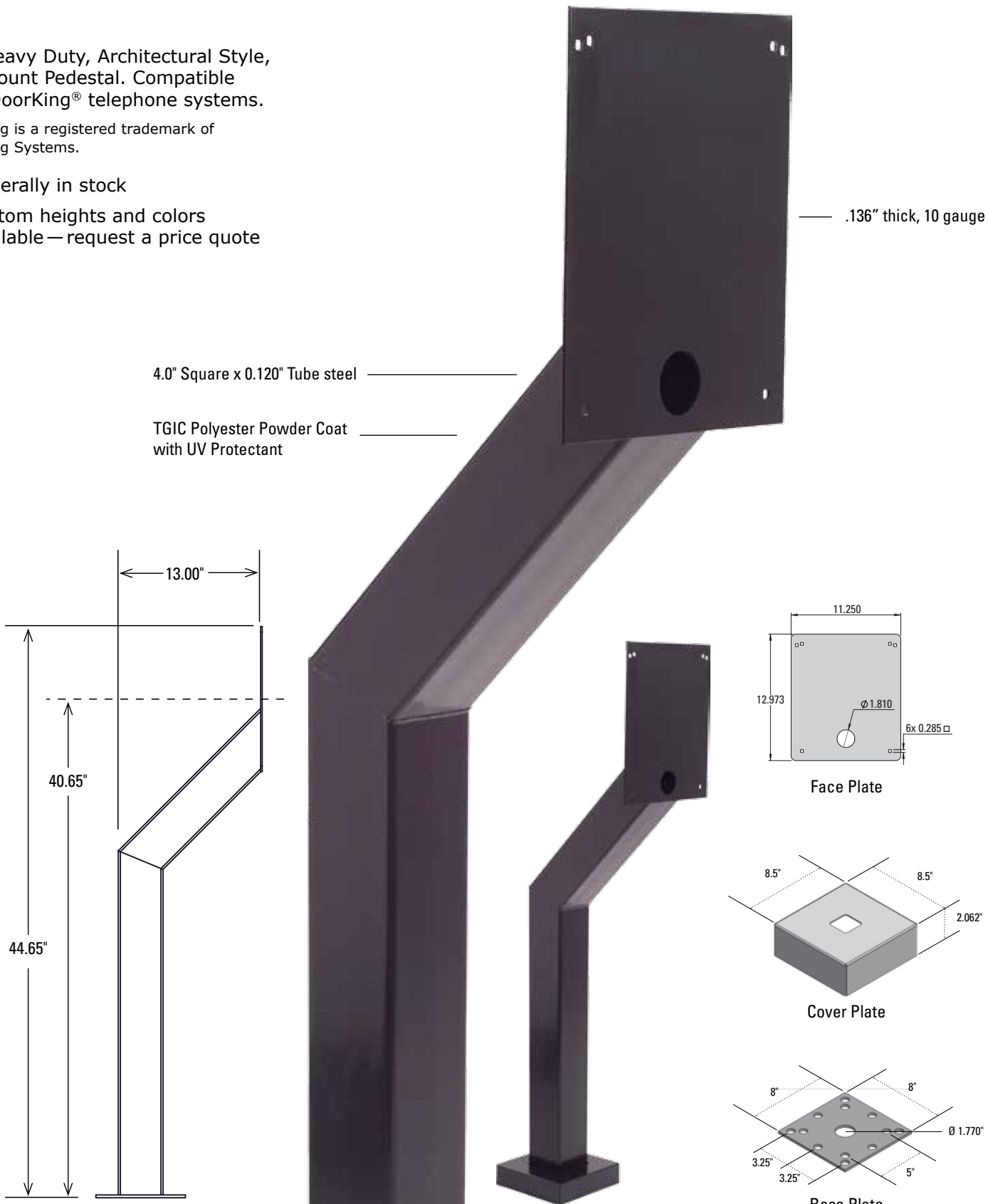


DATA SHEET

44" Heavy Duty, Architectural Style, Pad Mount Pedestal. Compatible with DoorKing® telephone systems.

DoorKing is a registered trademark of DoorKing Systems.

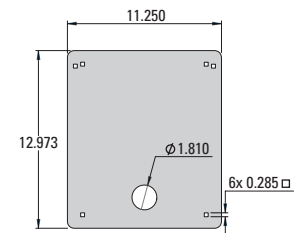
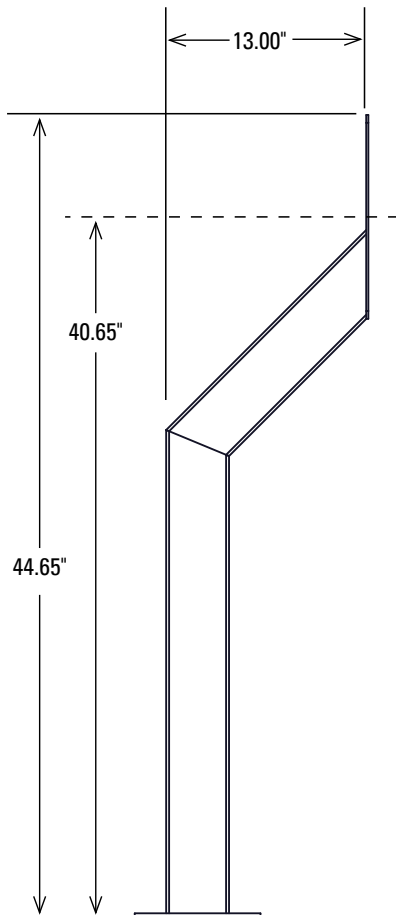
- ▣ Generally in stock
- ▣ Custom heights and colors available — request a price quote



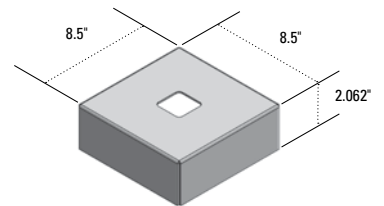
4.0" Square x 0.120" Tube steel

TGIC Polyester Powder Coat with UV Protectant

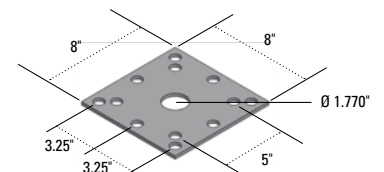
.136" thick, 10 gauge



Face Plate



Cover Plate



Base Plate

Stress Tests

Wind Speed	157 mph (Category 5 hurricane)
Wind Force	0.54 psi
Maximum Deflection or Displacement	0.043" at top edge
Maximum Stress	16,914.8 psi
Yield Strength	31,994.5 psi (strength at which the material bends permanently)

Interpretation: A "Category 5" hurricane wind begins at 157mph sustained. At this speed, the pedestal will flex slightly, allowing it to move about 0.043" at most. However, the stress encountered is not high enough to cause permanent bending. In the real world, the concrete or mounting bolts and nuts would fail first, not to mention the electronics would blow off even sooner.

Unique Features

Height:	44"
Finish:	Black Wrinkle TGIC Polyester Powdercoat — with UV Protectant
Faceplate:	11" x 13", Door King Hole Pattern, .136 CRS (10 Gauge)
Baseplate:	8" x 8" Universal, .25 CRS
Tube:	4" x 4" Square, .120 Wall (11 Gauge)
Neck:	13", 45° Cut & Weld
Material:	Heavy Gauge Steel
Box Size:	45 lbs - Box Size: 54 x 15 x 13
Hardware:	Included: Carriage Bolts & Nuts
Color Options	<input type="checkbox"/> Black <input type="checkbox"/> Yellow <input type="checkbox"/> White <input type="checkbox"/> SS
Cutomization Options	Custom heights and colors available

