

HD-DK-ALUM PAD MOUNT PEDESTAL



PRO Features:

- 1) Face plate, 11.25" x 13" x .136" fits Door King® telephone entry systems
- 2) Universal base plate, 8" x 8" x .25" (1/4" plate)
- 3) Cover plate, 8.25" x 8.25" x 2.25" (16 gauge)
- 4) Heavy duty square tube 4" x 4" x .120" wall (11 gauge)
- 5) Welded on top cap (non-removable)
- 6) Phosphate pretreatment (rust inhibitor)
- 7) TGIC outdoor polyester powder coat with UV protectant
- 8) Includes carriage bolts (4) and nuts (4)
- 9) Boxed individually
- 10) Customizable dimensions and colors available upon request

Models

Model #	Height	Reach	Color Code	Weight	Box Size
HD-DK-ALUM (add color code)	53"	12"	-BLK = Black Wrinkle -WHI = White* -YEL = Yellow*	45 lbs.	50x15x13

Custom "RAL" colors
*additional lead time
and costs may apply



Description:

A very strong, heavy duty, pad mount, bollard style pedestal for a variety of car and pedestrian applications. Meant to mount cameras, intercoms, keypads, entry/exit buttons, biometric readers, telephone entry systems, housings, and other access control devices.

Most often installed for automatic gate entry and exit, parking lot, and perimeter access applications. Includes a specific face plate that matches Door King's telephone entry systems, heavy duty base plate, and a sliding cover plate to hide the mounting bolts that secure the base.

Whereas a competing pedestal may be made from .074" wall tube, this

pedestal is made from .120" wall tube (62% more steel) and is designed to withstand abuse from vandals or Mother Nature.

The neck is cut and welded to form an architectural design while allowing the wiring to pass easily from the ground, through the pedestal, and into the access control device - making installation very convenient.

Pedestal PRO is the world's leading manufacturer of access control pedestals and supports a global network of systems integrators and security professionals.

Related Items

Housing



Model # MC-CS-8-E

Housing



Model # Lando-CS-12x8-E

Hood



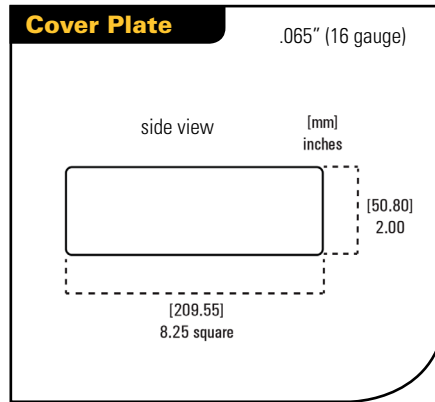
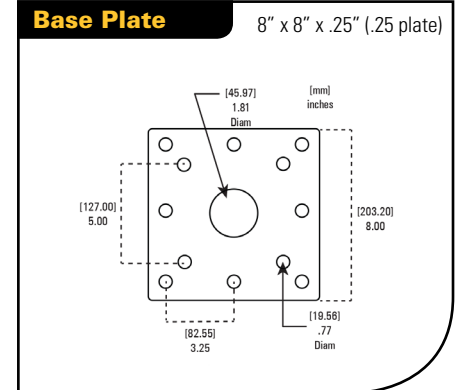
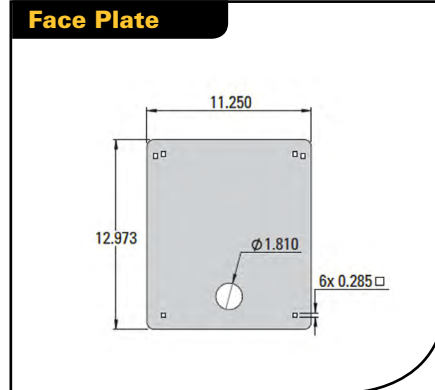
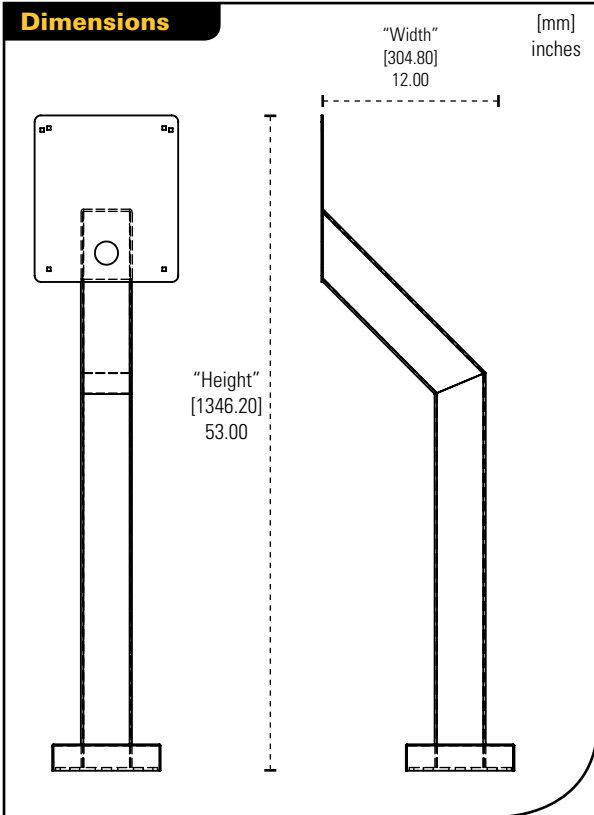
Model # HOOD-CS-4.5X8

Hood



Model # HOOD-CS-10x10

HD-04 PRO MOUNT PEDESTAL



Customize

Stock Color
 ■ Black

Readily Available Colors*
 □ White
 ■ Safety Yellow

Custom "RAL" colors*

Adjust height, reach, and face plate specifications to meet your needs*
 *additional costs and lead times may apply

Stress Test

Wind Speed: 200 mph (321 km/h)
 Wind Force: 1.3333 psi
 Face Area: 263.5959 in² (each square inch receives 1.3333 psi for a total of 351.34 psi)
 Max Deflection or Displacement: The top corner displaces 0.8 (etc) mm
 Max Stress: 6965.5 psi
 Yield Strength: 89,984.6 psi (strength at which the material bends permanently)
 Interpretation: The highest recorded sustained wind is 217 mph. At 200 mph, the top of the pedestal would move .8 mm without bending permanently. In the real world, the concrete or the mounting bolts and nuts would be fail first, not to mention the electronics would blow off even sooner.

