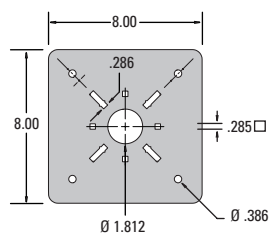
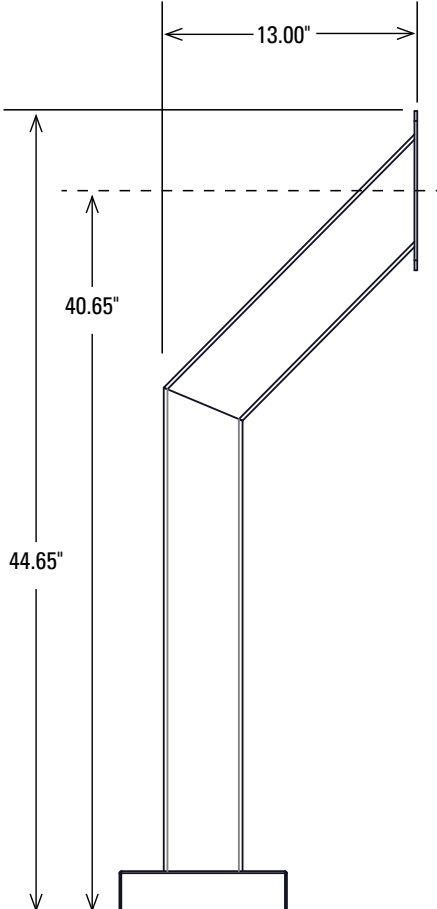
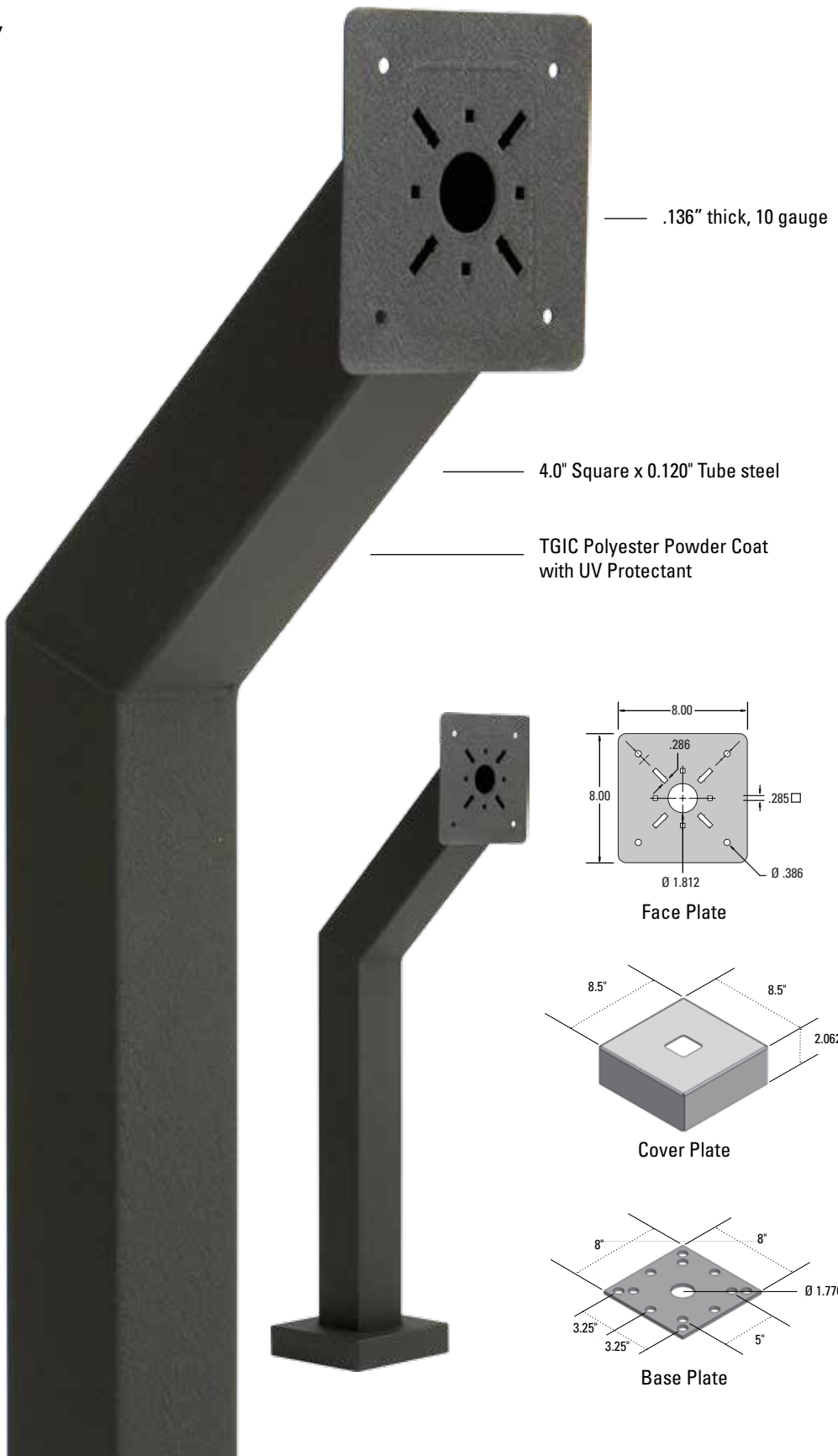


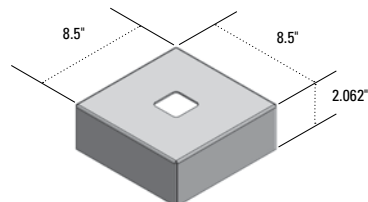
DATA SHEET

44" Heavy Duty, Architectural Style, Pad Mount Pedestal.

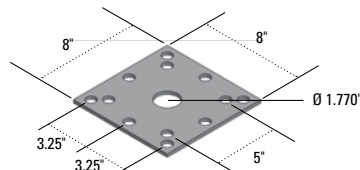
- ▣ Generally in stock
- ▣ Custom heights and colors available—request a price quote



Face Plate



Cover Plate



Base Plate

Stress Tests

Wind Speed	157 mph (Category 5 hurricane)
Wind Force	0.54 psi
Maximum Deflection or Displacement	0.007" at top edge
Maximum Stress	7,165.7 psi
Yield Strength	31,994.5 psi (strength at which the material bends permanently)

Interpretation: A "Category 5" hurricane wind begins at 157mph sustained. At this speed, the pedestal will flex slightly, allowing it to move about 0.007" at most. However, the stress encountered is not high enough to cause permanent bending. In the real world, the concrete or mounting bolts and nuts would fail first, not to mention the electronics would blow off even sooner.

Unique Features

Height:	44"
Finish:	Black Wrinkle TGIC Polyester Powdercoat — with UV Protectant
Faceplate:	8" x 8" Universal, .136 CRS (10 Gauge)
Baseplate:	8" x 8" Universal, .25 CRS
Tube:	4" x 4" Square, .120 Wall (11 Gauge)
Neck:	13", 45° Cut & Weld
Material:	Heavy Gauge Steel
Box Size:	35 lbs - Box Size: 50 x 15 x 10
Hardware:	Included: Carriage Bolts & Nuts
Color Options	■ ■ ■ ■ ss
Customization Options	Custom heights and colors available

