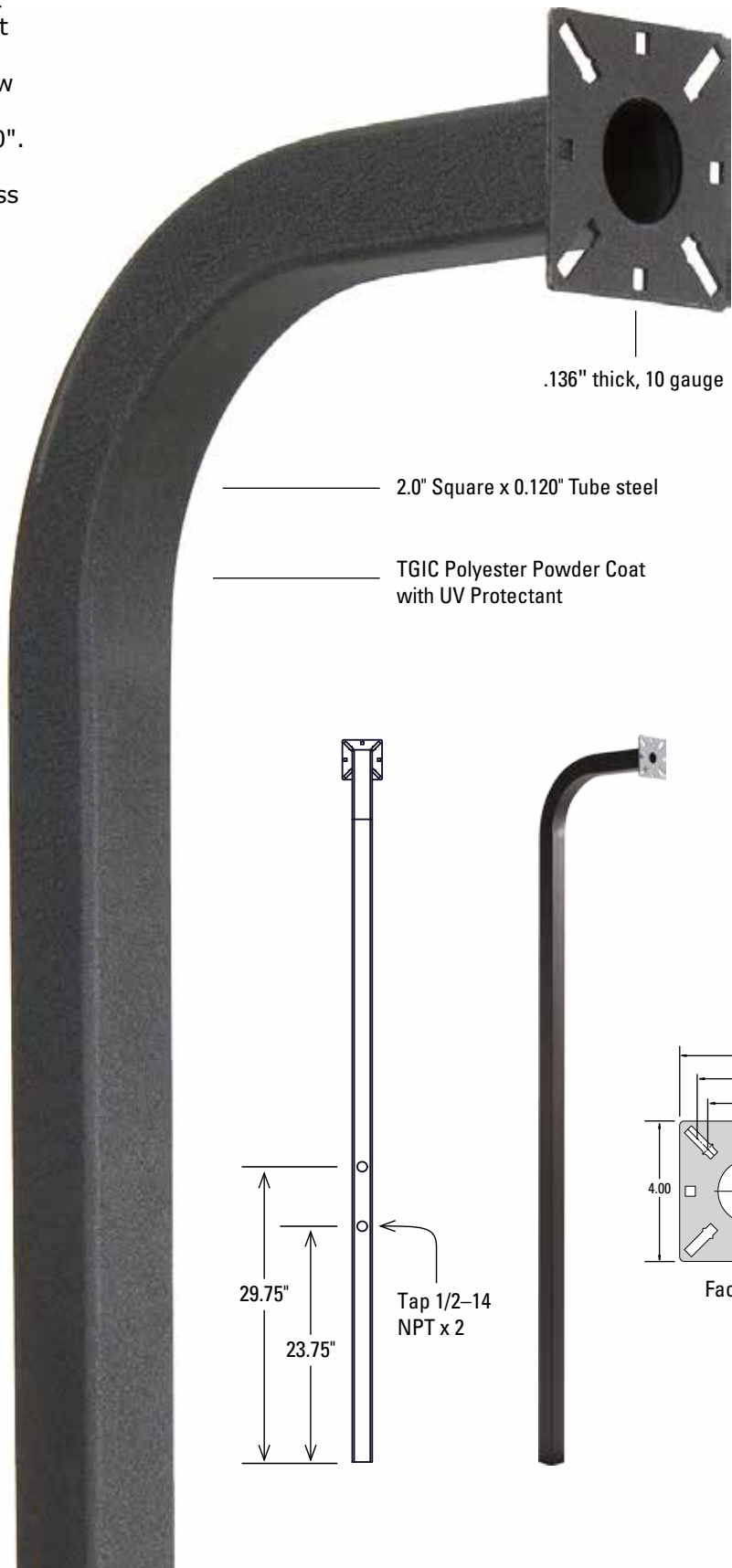


DATA SHEET

The 72-9C-IN has no baseplate but offers an additional 22"-28" to post into the ground or wet cement for easy installation. Depending on how deep it's posted, it will provide a card reader height between 42"-50". It contains two threaded holes for 1/2" conduit on the backside to pass electrical wiring through for the devices.

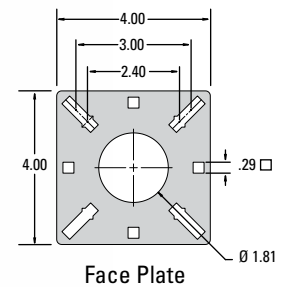
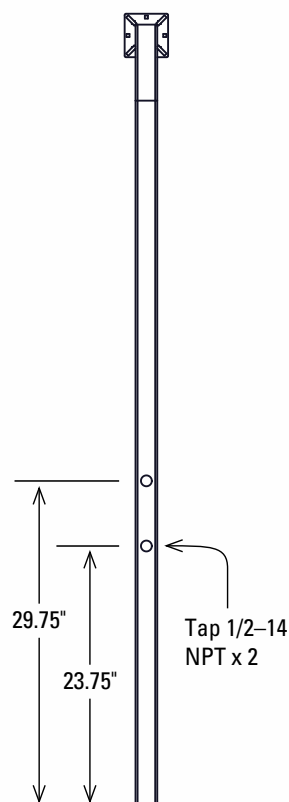
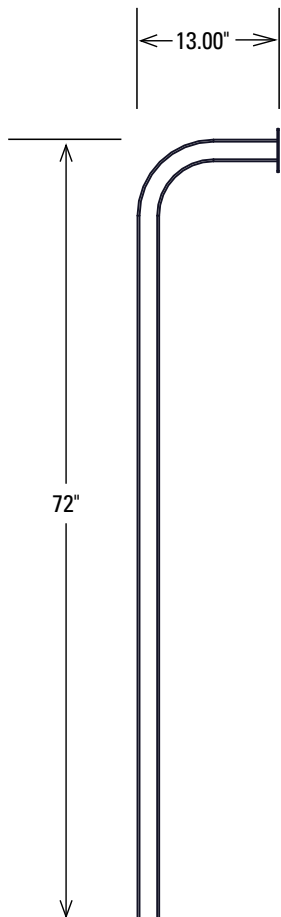
- ▣ Generally in stock
- ▣ Custom heights and colors available — request a price quote



.136" thick, 10 gauge

2.0" Square x 0.120" Tube steel

TGIC Polyester Powder Coat with UV Protectant



## Stress Tests

Wind Speed	157 mph (Category 5 hurricane)
Wind Force	0.54 psi
Maximum Deflection or Displacement	0.05" at top edge
Maximum Stress	5652.2 psi
Yield Strength	31,994.5 psi (strength at which the material bends permanently)

Interpretation: A "Category 5" hurricane wind begins at 157mph sustained. At this speed, the pedestal will flex slightly, allowing it to move about 0.05" at most. However, the stress encountered is not high enough to cause permanent bending. In the real world, the concrete or mounting bolts and nuts would fail first, not to mention the electronics would blow off even sooner.

## Unique Features

Height:	72"
Finish:	Black Wrinkle TGIC Polyester Powdercoat — with UV Protectant
Faceplate:	4" x 4" Universal, .136 CRS (10 Gauge)
Baseplate:	NA
Tube:	2" x 2" Square, .120 Wall (11 Gauge)
Neck:	13", 90° Bend
Material:	Heavy Gauge Steel
Box Size:	30 lbs - Box Size: 76 x 12 x 6
Hardware:	Included: Carriage Bolts & Nuts
Color Options	<input checked="" type="checkbox"/> <input type="checkbox"/> <input type="checkbox"/>
Customization Options	Custom heights and colors available

