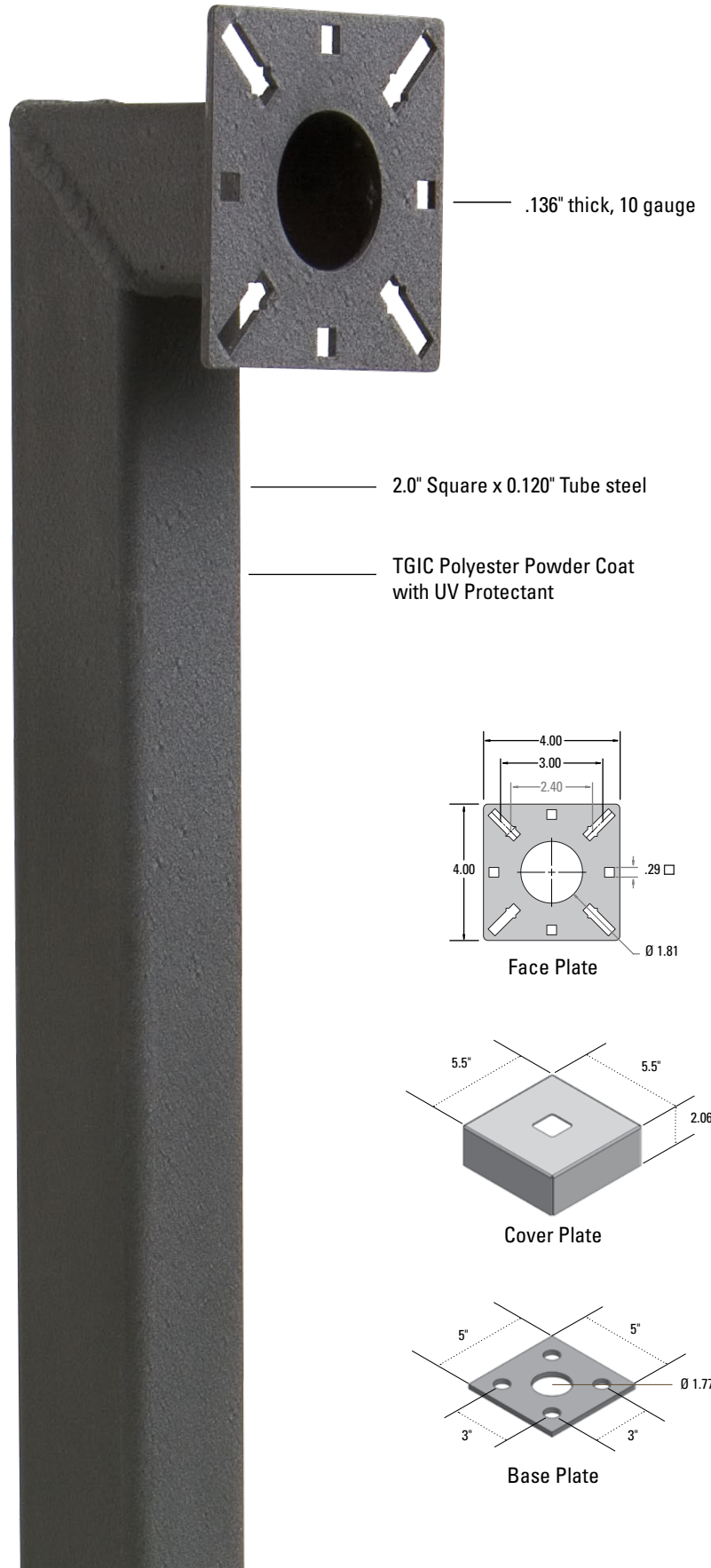


DATA SHEET

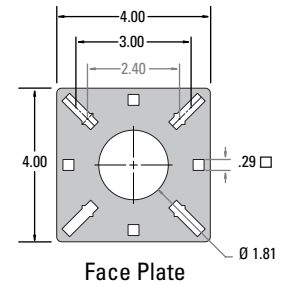
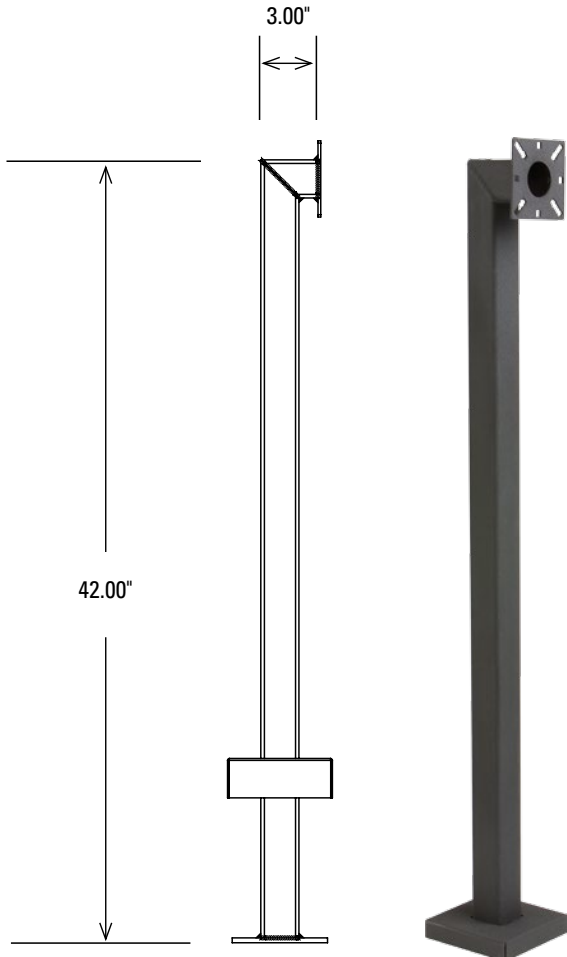
The 42-2LP is a unique pedestal that solves the problem of reducing the reach of other pedestals. It only provides a 2" reach (on center) instead of a 12" reach to ensure the mounted electronics won't jut out too far. It is perfect for applications with limited spacing and is ADA-compliant.

- ▣ Generally in stock
- ▣ Custom heights and colors available — request a price quote

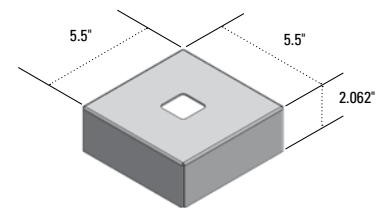


2.0" Square x 0.120" Tube steel

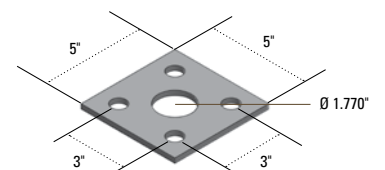
TGIC Polyester Powder Coat with UV Protectant



Face Plate



Cover Plate



Base Plate

Stress Tests

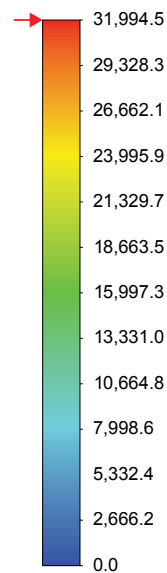
Wind Speed	157 mph (Category 5 hurricane)
Wind Force	0.54 psi
Maximum Deflection or Displacement	0.028" At top edge
Maximum Stress	14,542.71 psi
Yield Strength	31,994.5 psi. (strength at which the material bends permanently)

Interpretation: A "Category 5" hurricane wind begins at 157mph sustained. At this speed, the pedestal will flex slightly, allowing it to move about 0.28" at most. However, the stress encountered is not high enough to cause permanent bending. In the real world, the concrete or mounting bolts and nuts would fail first, not to mention the electronics would blow off even sooner.

Unique Features

Height:	42"
Finish:	Black Wrinkle TGIC Polyester Powdercoat — with UV Protectant
Faceplate:	4" x 4" Universal, .136 CRS
Baseplate:	5" x 5" Universal, .25 CRS
Tube:	2" x 2" Square, .120 Wall (11 Gauge)
Neck:	2" throw, 90° Weld
Material:	Heavy Gauge Steel
Box Size:	17 lbs - Box Size: 44 x 12 x 6
Hardware:	Included: Carriage Bolts & Nuts
Color Options	<input checked="" type="checkbox"/> Black <input checked="" type="checkbox"/> Yellow <input type="checkbox"/> White <input type="checkbox"/> SS <input type="checkbox"/> ALUM
Cutomization Options	Custom heights and colors available

von Mises (psi)



→ Yield strength: 31,994.5

