

36-LP-BLK PAD MOUNT PEDESTAL



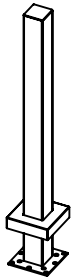
PRO Features:

- 1) Heavy duty, low profile photo eye pedestal
- 2) Universal base plate, 6" x 6" x .25" (1/4" plate)
- 3) Cover plate, 8.25" x 8.25" x 2.25" (16 gauge)
- 4) Heavy duty square tube 3" x 3" x .120" wall (11 gauge)
- 5) Welded on top cap (non-removable)
- 6) Phosphate pretreatment (rust inhibitor)
- 7) TGIC outdoor polyester powder coat with UV protectant
- 8) Includes carriage bolts (4) and nuts (4)
- 9) Boxed individually
- 10) Customizable dimensions and colors available upon request

Models

Model #	Height	Color Code	Weight	Box Size
36-LP (add color code)	36"	-BLK = Black Wrinkle -WHI = White* -YEL = Yellow*	19 lbs.	40x7x7

Custom "RAL" colors*
*additional lead time



Description:

A very strong, heavy duty, pad mount stanchion to conveniently mount photo eyes between 0"-36" high. Also mounts cameras for licence plate recognition and a variety of other access control and video surveillance devices.

Most often installed for automatic gate entry and exit, parking lot, and perimeter access applications. Whereas a competing pedestal may be made from .074" wall tube, this pedestal is made from .120" wall tube (62% more steel) and is designed to withstand abuse from vandals or Mother Nature.

Includes a heavy duty base plate with a large center hole allowing the wiring to pass easily from the ground, through the pedestal, and into the access

control device-- making installation very convenient.

Furthermore, this pedestal is first bead-blasted to eliminate contaminants and blemishes, then powder coated with an outdoor rated TGIC polyester finish with UV protectant to help promote longevity in any weather condition.

A pedestal is often sold with a mounting bolt kit and card reader housing for a complete turnkey solution. Pedestal PRO is the world's leading manufacturer of access control pedestals and supports a global network of systems integrators and security professionals.

Related Items

Housing



Model # MC-CS-8-E

Housing



Model # Lando-CS-12x8-E

Hood



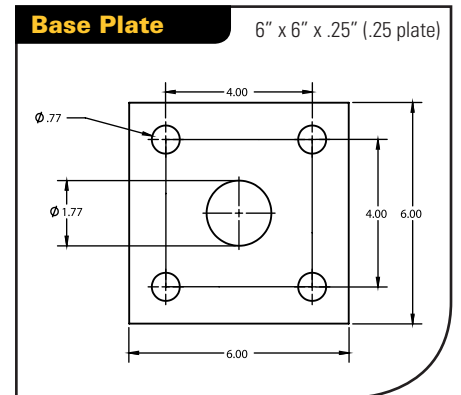
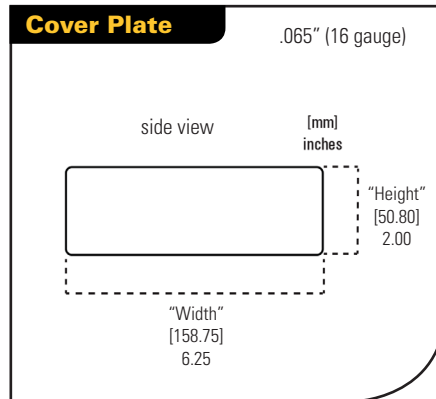
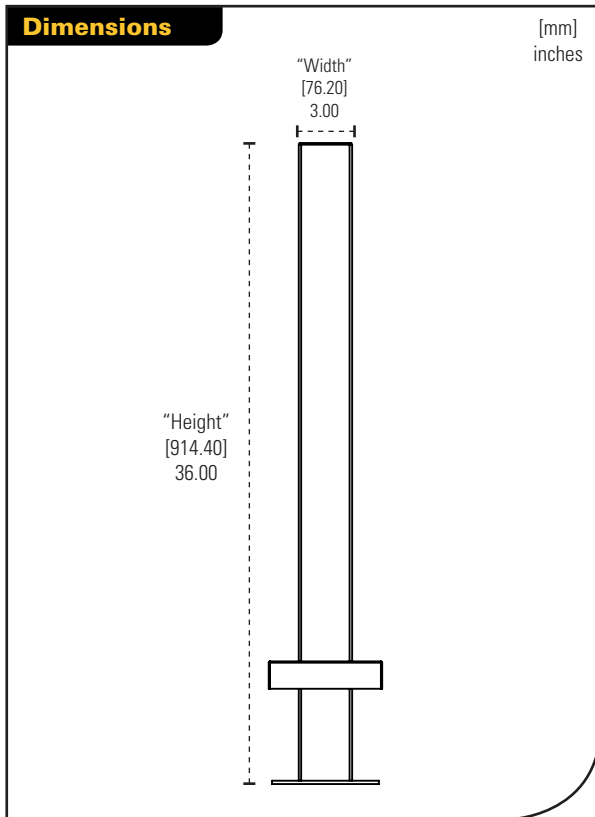
Model # HOOD-CS-4.5X8

Hood



Model # HOOD-CS-10x10

36-LP-BLK PRO MOUNT PEDESTAL



Customize

Stock Color

- Black

Readily Available Colors*

- White
- Safety Yellow

Custom "RAL" colors*

Adjust height or cut-out specifications to meet your specific needs.
*additional costs and lead time may apply

Stress Test

Wind Speed: 200 mph (321 km/h)

Wind Force: 1.3333 psi

Face Area: 263.5959 in² (each square inch receives 1.3333 psi for a total of 351.34 psi)

Max Deflection or Displacement: The top corner displaces 0.8 (etc) mm

Max Stress: 6965.5 psi

Yield Strength: 89,984.6 psi (strength at which the material bends permanently)

Interpretation: The highest recorded sustained wind is 217 mph. At 200 mph, the top of the pedestal would move .8 mm without bending permanently. In the real world, the concrete or the mounting bolts and nuts would be fail first, not to mention the electronics would blow off even sooner.

von Mises (psi)

- 31,994.5
- 29,328.3
- 26,662.1
- 23,995.9
- 21,329.7
- 18,663.5
- 15,997.3
- 13,331.0
- 10,664.8
- 7,998.6
- 5,332.4
- 2,666.2
- 0.0

→ Yield strength: 31,994.5

